



Semi-hermetic Bock Compressors

Single-stage and Two-stage Reciprocating Compressors HG (HA)

° In touch with our customers

GEA Refrigeration Technologies: Your partner for low temperatures

GEA Refrigeration Technologies, part of the internationally active GEA Group, is a synonym for industrial refrigeration technology. Since the end of the 19th century, it has been our business to cool processes and products, and to control the temperature of goods in transport. You will find our solutions in the food and beverage sector; in the petrochemical, chemical, and pharmaceutical industries; on fishing ships; in natural gas liquefaction; in infrastructure facilities; and in ice factories. We are also at the top with know-how when it comes to refrigeration at leisure facilities. After all, we have been excited about refrigeration for decades now. As a result, our staff enthusiastically goes about its development and production projects – to include preventive and remedial maintenance of your refrigeration systems.

This enthusiasm is highly apparent in the daily work of all companies in our Segment. Whether it's complete systems or individual valves: we have the experience in every section of our company to optimally design, manufacture, and install refrigeration systems. And to take full advantage of this experience, we not only carry out development in our own company: we also manufacture, assemble, and test the core components. A chain is, after all, only as strong as its weakest link: and this also applies equally well to refrigeration technology, cooling processes, and cooling chains.

This makes it all the more important that you have a partner – in GEA Refrigeration Technologies – that has learned to master refrigeration from A to Z. And all of this since 1896, when Willem Grasso founded his refrigeration division. From this history of GEA Refrigeration Technologies, you will profit in the form of technical expertise and top sector know-how.

But we all live in the present and think about the future. We ponder a future in which more and more processes need energy around the world, and fewer natural resources are available. As a result, we have taken it as our goal to create solutions that are not only long-life and cost-effective, but also energy-saving and environment-protecting. We feel obligated to sustainability in many respects. Our objective is to produce longlife and material-saving products over the long run – as well as products that use environmentally benign refrigerants. And we aim to produce efficiently. But our responsibility does not end at the factory gate. As a result, we take great pains to ensure that our systems are energy-efficient and that they protect the climate. With GEA Refrigeration Technologies, you can also count on optimal economy: saving energy indeed means reducing money spent for energy. At the same time, you protect the environment. Thanks to our refrigeration technology, your processes will run more economically and more ecologically. To maintain our standard of living and to assure quality of life for future generations as well.

Our claim of combining economy with saving natural resources is reflected in all components of our company, such as the following: compressors, chillers, heat pumps, ice machines, fittings and valves, control systems, and many, many more. You can find proof of the above throughout the world. Our international corporate network – and above all our reference projects – are spread all over the globe.



Characteristics semi-hermetic Bock compressors	I	1
Single-stage semi-hermetic Bock compressors	I	2
Two-stage semi-hermetic Bock compressors	I	3
Service - Made by GEA Bock	I	4

Disclaimer

This brochure has been produced for you with the greatest of care. Nevertheless it is not possible to rule out mistakes completely. In such cases we cannot assume any liability. The contents correspond to the status on going to print. Deviations cannot be ruled out because of the ongoing development process for our products.

The details are provided as unbinding general information and cannot substitute detailed, individual consultation. Reprints even only of excerpts only allowed with the explicit approval of GEA Bock GmbH. © GEA Bock GmbH 2012



GEA Bock - More than a compressor

Over 75 years ago, when the refrigeration and air-conditioning industry was still in its infancy, our company's founder, Wilhelm Bock, had a vision: he wanted to build first-class and reliable refrigeration machines. In the following decades Bock developed into one of the world's leading manufacturers of refrigeration and air-conditioning compressors.

Today, GEA Bock offers as part of GEA Refrigeration Technologies the right compressor for all fields of commercial-, industrial-, rail-, bus- and transport refrigeration.

That GEA Bock places the highest demands on compressors for energy efficiency shows our EFC system. For many years we offer with the EFC system a solution to reduce the energy consumption by 25 %.

In this brochure we present you our current program of single-stage and two-stage semi-hermetic Bock compressors.

Be inspired. By our new products, our established product series and the entire passion that goes into each of our products.



Semi-hermetic compressors HG (HA)

The Bock HG (Hermetic Gas-cooled) range of semi-hermetic compressors offers traditional suction gas-cooled compressor state of the art technology. These compressors of the highest quality standard excel in their running comfort, easy maintenance, efficiency and reliability. Suitable as standard for conventional or chlorine-free HFC refrigerants.

The HA (Hermetic Air-cooled) range, specially engineered by GEA Bock, is available for deep-freezing applications, in particular for use with the refrigerants R22 and R404A.

- ° Single-stage
- ° CO₂ compressors subcritical
- ° CO₂ compressors transcritical
- ° R134a compressors
- ° R407C compressors
- ° R410A compressors
- ° ATEX compressors
- ° HC compressors
- ° Aluminium compressors
- ° 2-pole compressors
- ° Two-stage compressors
- ° Duplex compressors
- ° Compressor units with receiver
- ° Condenser units air-cooled



Vehicle compressors FK

Bock vehicle compressors of the FK range are the result of many years of experience in the domain of mobile cooling systems.

The unsurpassed light, compact, robust design and wide r.p.m. range are only some of the outstanding features of this unique product range of two, four and six cylinder compressors.

A wide variety of designs can be tailored to suit individual requirements.

The so-called K version is a special innovation with a unique valve plate system for maximum requirements in bus and coach air-conditioning systems.

- ° Compressors for bus and train air-conditioning
- ° Compressors for transport refrigeration and other applications



Open type compressors F

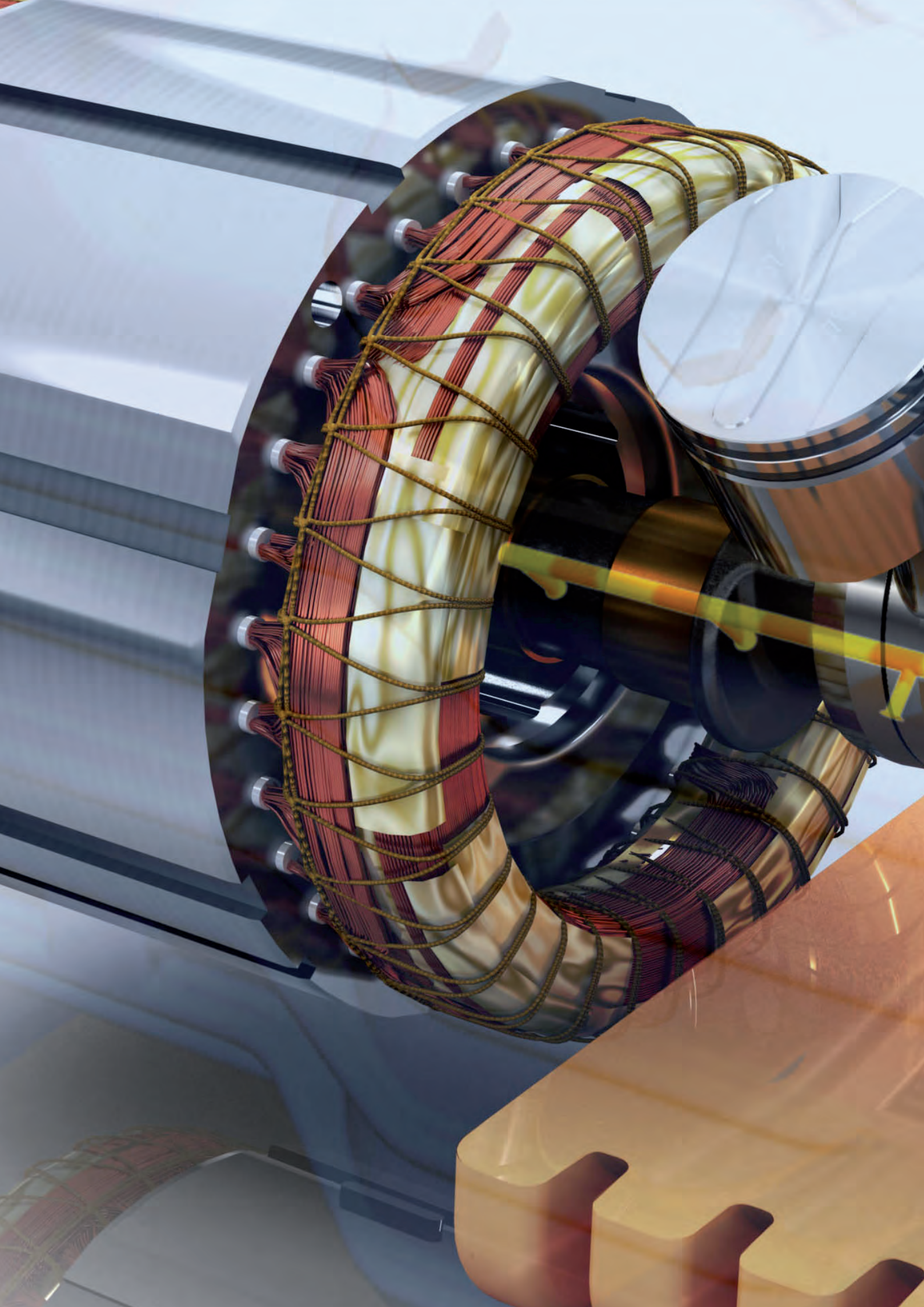
The F model series provides modern open type compressors for separate drive systems (using V belts or direct couplings). Load transfer through a V pair.

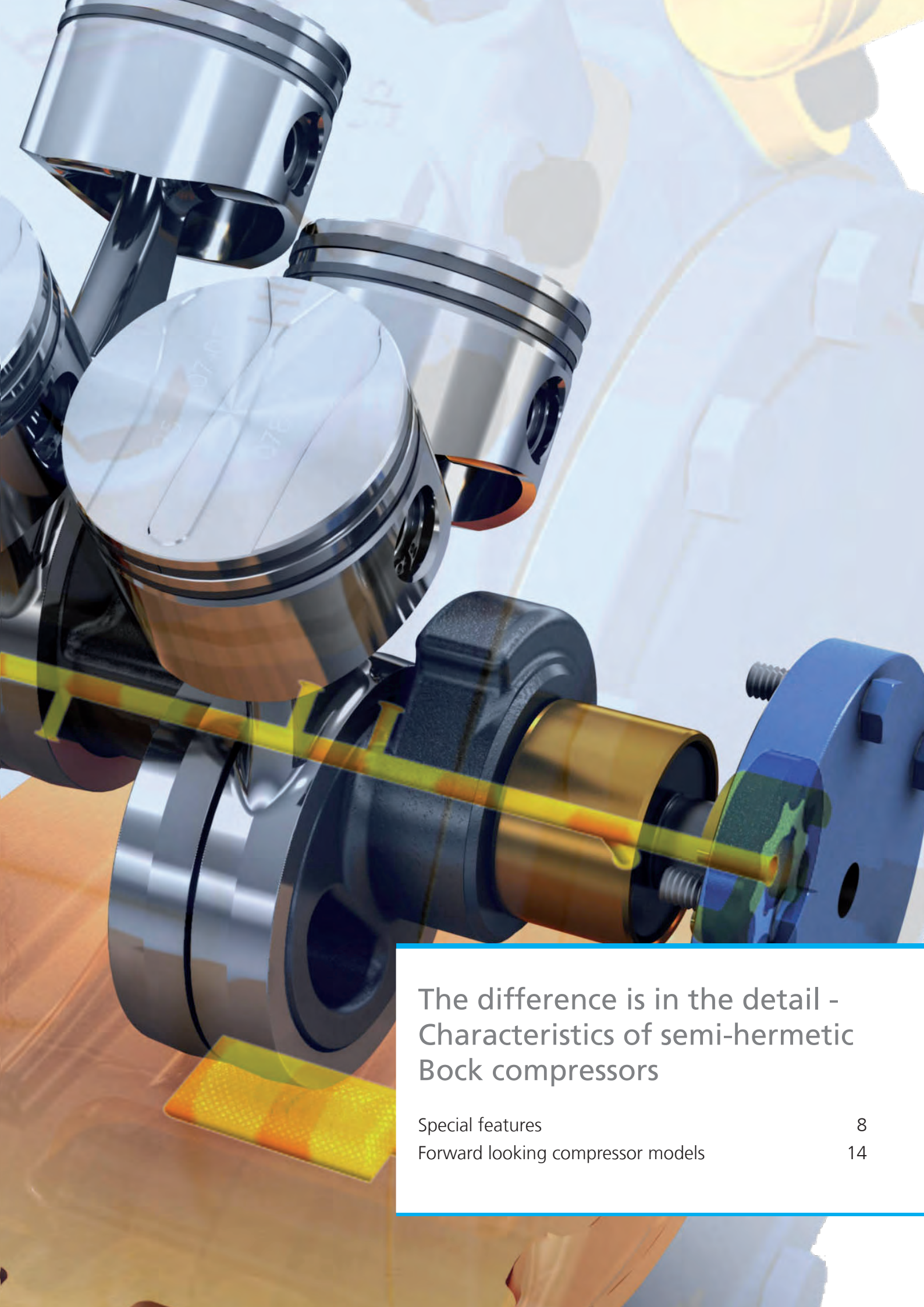
Virtually all drive capacity requirements can be met.

Very compact compressor design, robust and easy to handle. Oil pump lubrication as standard.

- ° Single-stage compressors
- ° NH₃ compressors
- ° Compressor units for direct drive
- ° NH₃ Compressor units for direct drive







The difference is in the detail - Characteristics of semi-hermetic Bock compressors

Special features

8

Forward looking compressor models

14

Universal

- e.g. R134a, R404A, R507, R407C, R22
- One compressor design for all standard refrigerants.
- For air-conditioning applications, normal refrigeration and deep-freezing
- Maximum allowed operating pressure (HP): 28 bar

High refrigeration capacity combined with minimum power requirement

- Optimized gas flow
- Efficient service valves
- Minimum clearance volume
- Powerful economic drive motors

Wide range of applications without additional cooling

Deep-freezing range with R404A, R507 also available with suction gas cooling (HG version)

Stable valve plate design

- Universally proven valve design with intake and discharge finger reed valves clamped on one side
- Valve made of high quality impact-resistant spring steel

Replaceable motors

The compressors can be repaired in the field as the drive motor can be exchanged.

Economic capacity control

- Cylinder cover incorporating a connection for capacity control
- Possible control stages:
 - 4 cylinder: 50 %
 - 6 cylinder: 33 % / 66 %
 - 8 cylinder: 25 % / 50 % / 75 %
- Continuously variable speed control (25 - 70 Hz) using an external frequency converter EFC/EFCe. See separate brochure "Bock semi-hermetic compressors - Electronic Controls".

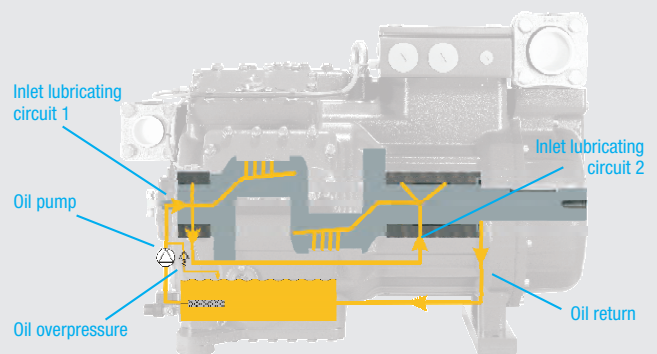
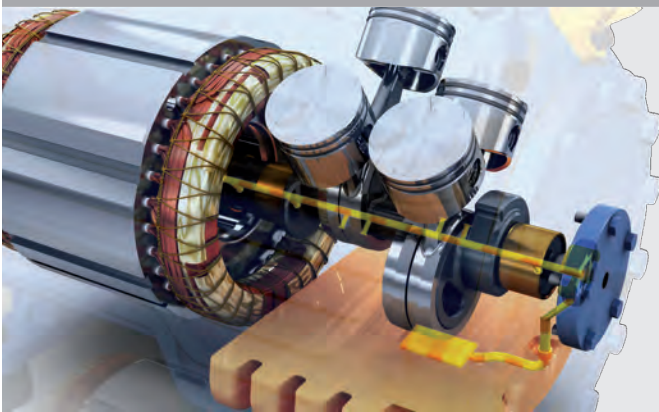
Minimum space requirement

Particularly low installation height and width

Quiet and low vibration

- Generously dimensioned crank mechanism
- Optimized mass balance
- Large volume pressure section for pulsation absorption
- 4 cylinder design from as little as 19 m³/h

Safe, reliable oil supply



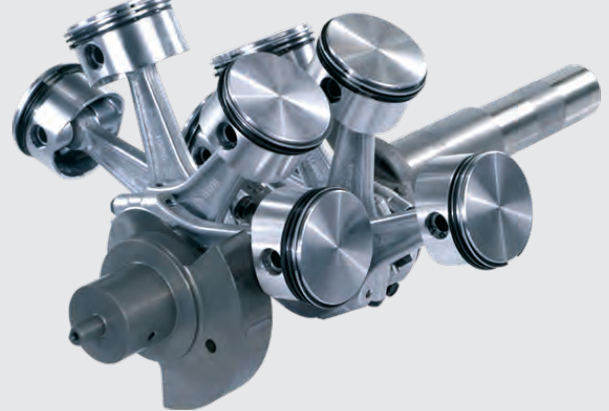
- 4 and 6 cylinder with a conventional single circuit lubricating system
- Lubricating system incorporating an oil pump
- Large volume oil sump

- 8 cylinder compressor with a dual circuit lubricating system (two oil circuits), each of the two main bearings supplied as the first lubrication point
- Oil pump lubrication independent of direction of rotation
- Connection possibility for oil pressure monitoring Δp -oil differential pressure sensor
- Large volume oil sump
- Direct coupling option for oil level regulator as standard

Wear-resistant durable driving gear



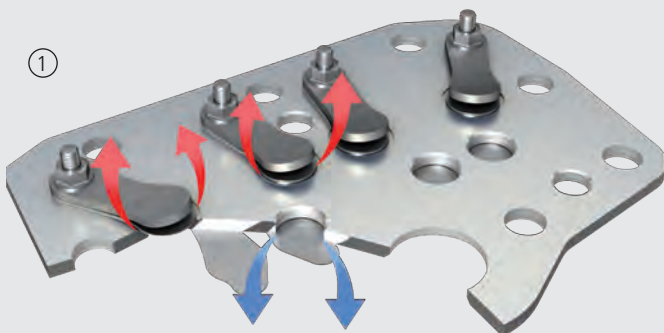
- 2 and 4 cylinder compressor HG(HA)12 to HG(HA)34
- Solid construction and design
- Low friction sleeve bearings
- Aluminium pistons with two ring assembly



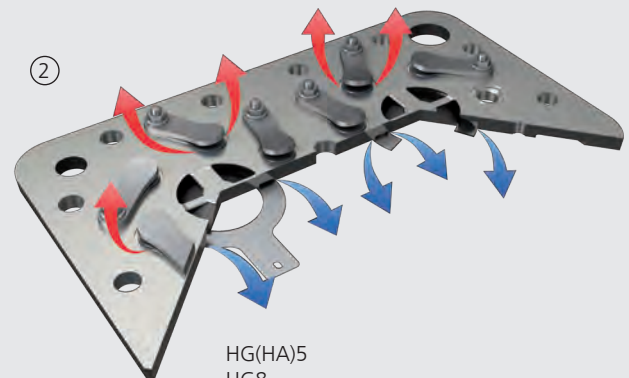
- 4 and 6 and 8 cylinder compressor HG(HA)4 to HG8
- Solid construction and design
- Surface-hardened crankshaft
- Low friction sleeve bearings
- Aluminium pistons with triple ring assembly, hard-chromium plated sealing ring, HG(HA)4 with double ring assembly
- Aluminium connecting rod with high resistance piston bolt bearings starting HG(HA)5

1
2
3
4

Solid construction and design



HG(HA)12-34
HG(HA)4

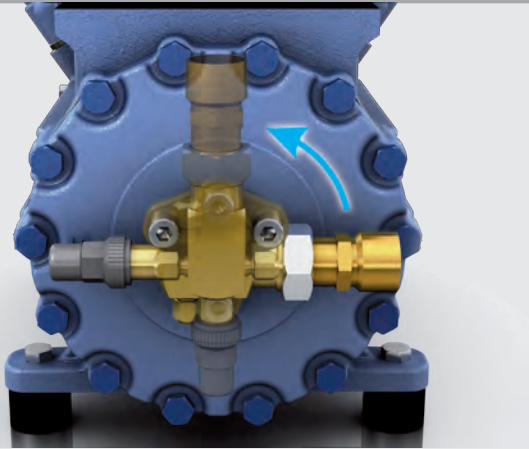


HG(HA)5
HG8

- Valve made of high quality impact-resistant spring steel
- Concentric reed valve on the suction side ② finger reed valve ①

Variable suction line valve position (HG)

4 cylinder

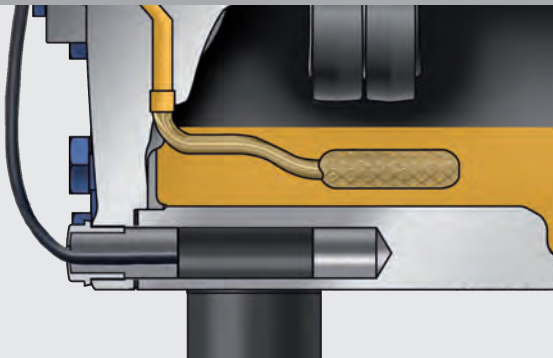


8 cylinder

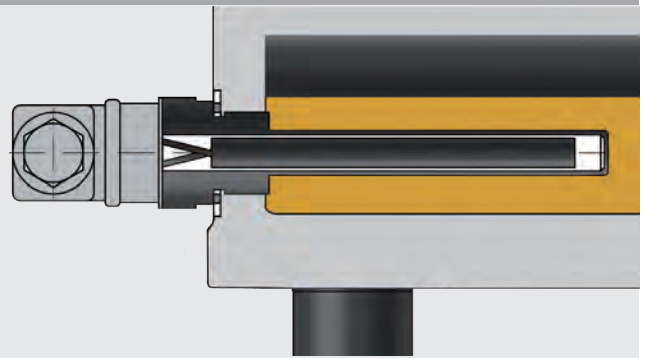


- Shutoff valve rotates through 90° (2 and 4 cylinder) suction cover rotates through 90° (8 cylinder)
- Flexible location for suction line connection

Oil sump heater

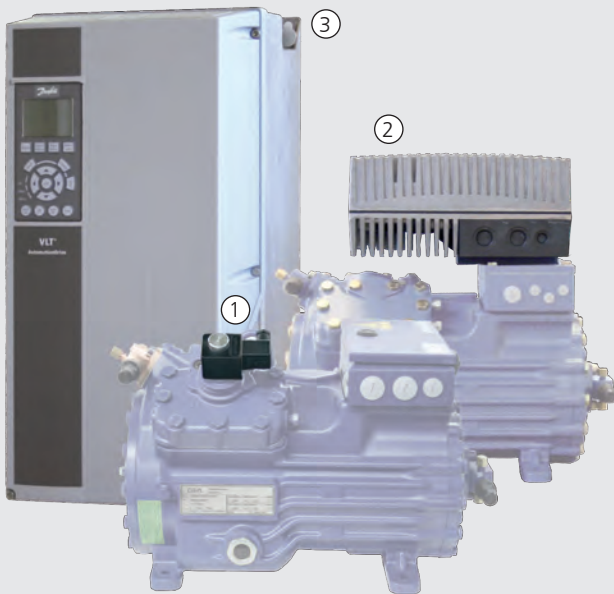


- Optional in 2 and 4 cylinder compressors HG(HA)12 up to HG(HA)34
- PTC heater, self-regulating
- Replacement without opening the refrigeration circuit



- Standard in 4 and 6 and 8 cylinder compressors HG(HA)4 up to HG8
- Immersion case design
- Replacement possible without opening the refrigerating circuit

Economic capacity control (option)



Via capacity regulator ①

Cylinder cover incorporating a connection for capacity control

Possible control stages:

- 4 cylinder: 50 %,
- 6 cylinder: 33 % / 66 %,
- 8 cylinder: 25 % / 50 % / 75 %

Via frequency converter

Continuously variable speed control using the Bock EFC / EFCe (Electronic Frequency Control)

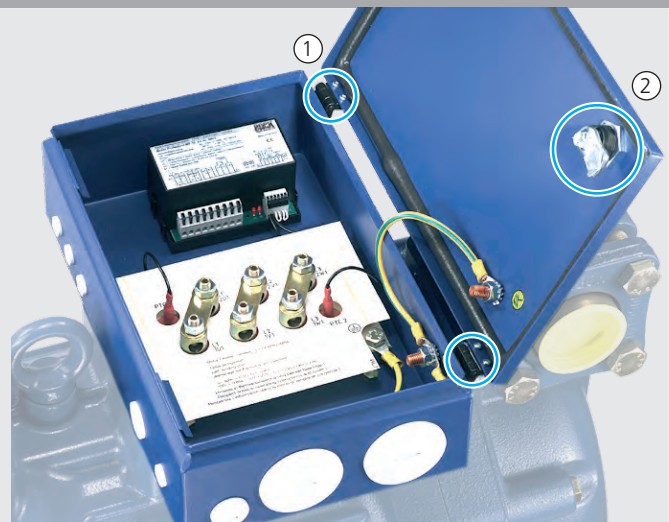
- Up to 25% less power consumption
- EFC ② Continuously variable speed control directly mounted on the compressor HG(HA)12 to HG(HA)34
- EFCe ③ Continuously variable speed control for individual set-up HG4 to HG8, HA on request
- Further information see separate brochure "Bock semi-hermetic compressors - Electronic Controls".

1
2
3
4

Electric switch box

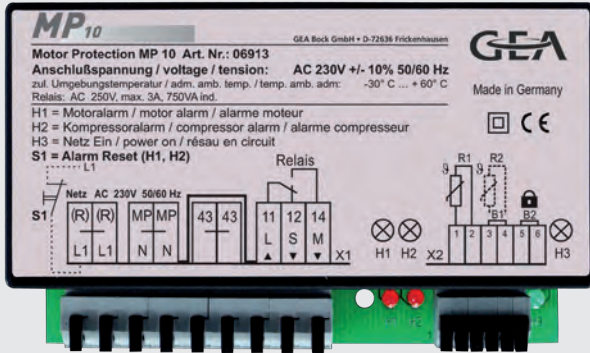


- Robust aluminium construction
- Easy electrical installation due to large internal volume
- Terminal block with cables in glass seal model
- Hinged and removable lifting cover ① with a single quick fastener ②
- Terminal strip for add-on components
- Protection system: IP66



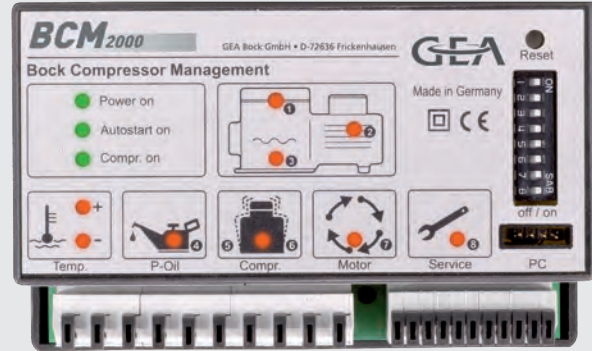
- Easy electrical installation due to large internal volume
- Terminal block with cables in glass seal model
- Hinged lifting cover with a single quick fastener (6 cylinder), ①
- Cover with simple snap closure (8 cylinder) ②
- Insulation between terminal studs
- Inspection window for compressor monitoring (8 cylinder)
- Protection system: 4 cylinder IP65; 6 and 8 cylinder IP54

Bock MP10 Electronic Motor Protection



- Standard with all 2, 4 and 6 cylinder compressors
- Temperature monitoring with PTC sensors and optical status indicators
- Discharge gas temperature sensor (option)
- Further information see separate brochure "Bock semi-hermetic compressors - Electronic Controls".

Bock Compressor Management BCM2000



- Innovative and advanced compressor management system
- Standard with 8 cylinder compressors (optional for 4- and 6 cylinder compressors)
- Further information see separate brochure "Bock semi-hermetic compressors - Electronic Controls".

Start unloader with the
Bock ESS (option)



(Electronic Soft Start)

- Optional for HG22 and HG34
- Continuous compressor start-up to nominal speed
- No need for conventional start unloaders
- IP20 unit for installation in switch cabinet (supplied loose)
- Further information see separate brochure
"Bock semi-hermetic compressors - Electronic Controls".

Single phase AC operation with
Bock ESP (option)



(Electronic Single Phase)

- Standard three phase AC compressor can be used on a single phase supply
- No start-up or operating condensers or relays required
- Unit designed for installation in switch cabinet
- Further information see separate brochure
"Bock semi-hermetic compressors - Electronic Controls".

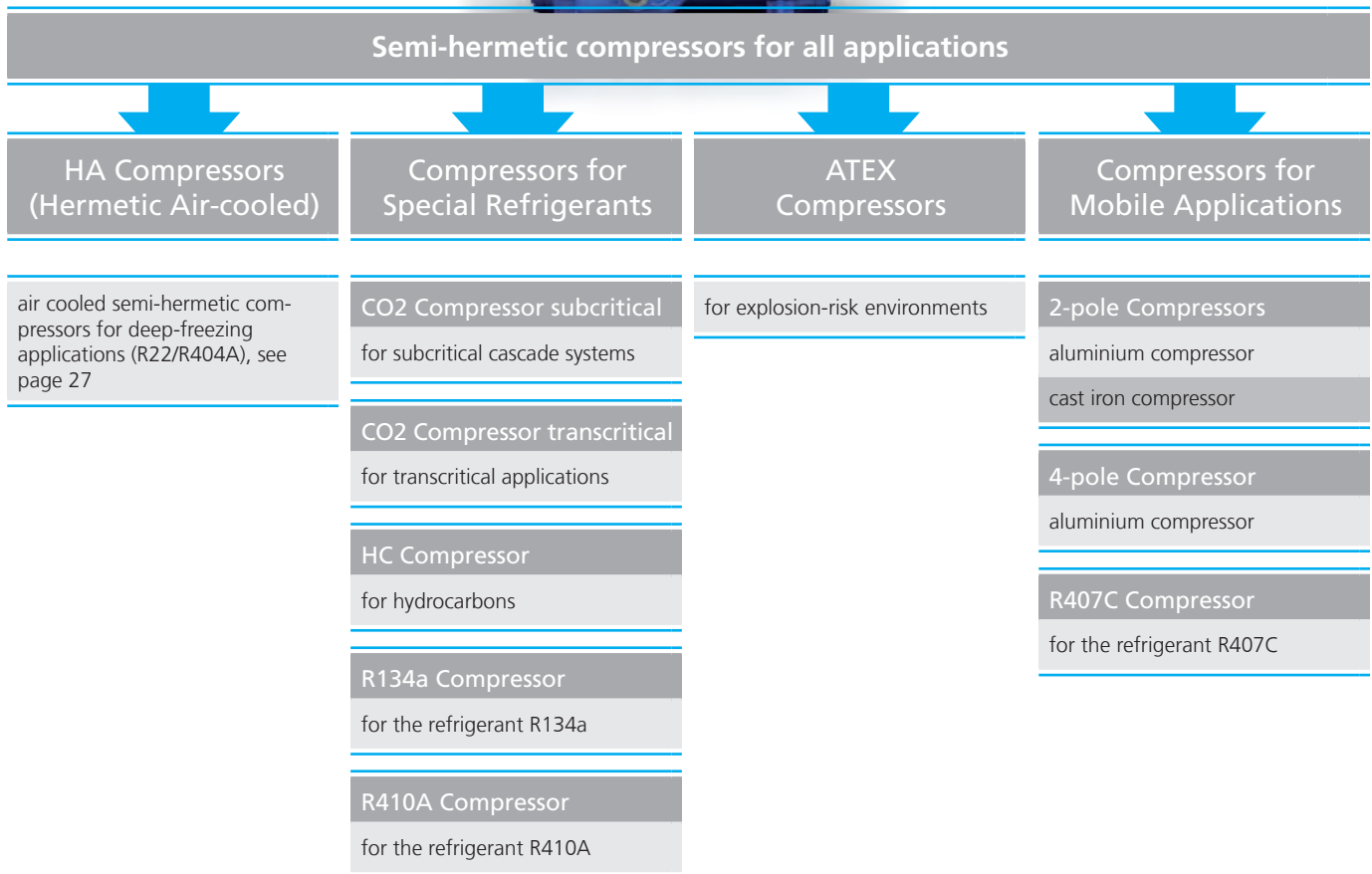
1

2

3

4

Bock offers a choice of interesting compressor versions in the established semi-hermetic range for current market trends such as alternative refrigerants, deep-freezing or EX protection.



Available versions	HG12	HG22	HG34	HG4	HG5	HG6	HG7	HG8
HA compressors	●	●	●	●	●	●		
CO ₂ compressors subcritical	●	●	●	●				
CO ₂ compressors transcritical			●					
HC compressors	●	●	●	●	●	●	●	●
R134a compressors				●	●	●	●	
R410A compressors	●	●	●	●				
ATEX compressors	●	●	●	●	●	●		
2-pole compressors aluminium			●					
2-pole compressors cast iron			●					
4-pole compressors aluminium		●	●					
R407C compressors			●					

HA System Hermetic Air-cooled

Semi-hermetic air-cooled compressors for deep-freezing (R22/R404A)

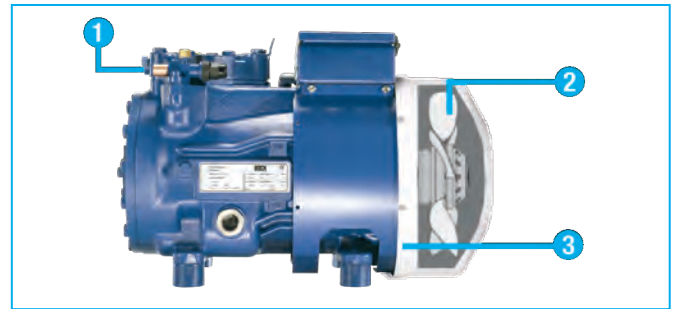
Available for all 2 and 4 cylinder versions.

Increasingly high specifications are being set for all suction gascooled semi-hermetic compressors for deep-freezing applications.

Compressors rapidly reach their temperature limits due to the rise in temperature of the suction gas caused by the drive motor. The refrigeration capacity also diminishes. But not in Bock HA compressors.

The unique "Bock HA principle" prevents this. The drive motor is air-cooled and compressor suction is direct. The suction gas is not heated by the motor, but is fed directly to the compressor without being diverted through the motor. The motor is cooled by a compact integrated ventilation unit. Its precise airflow cools not only the motor but also the compressor and especially the cylinder heads.

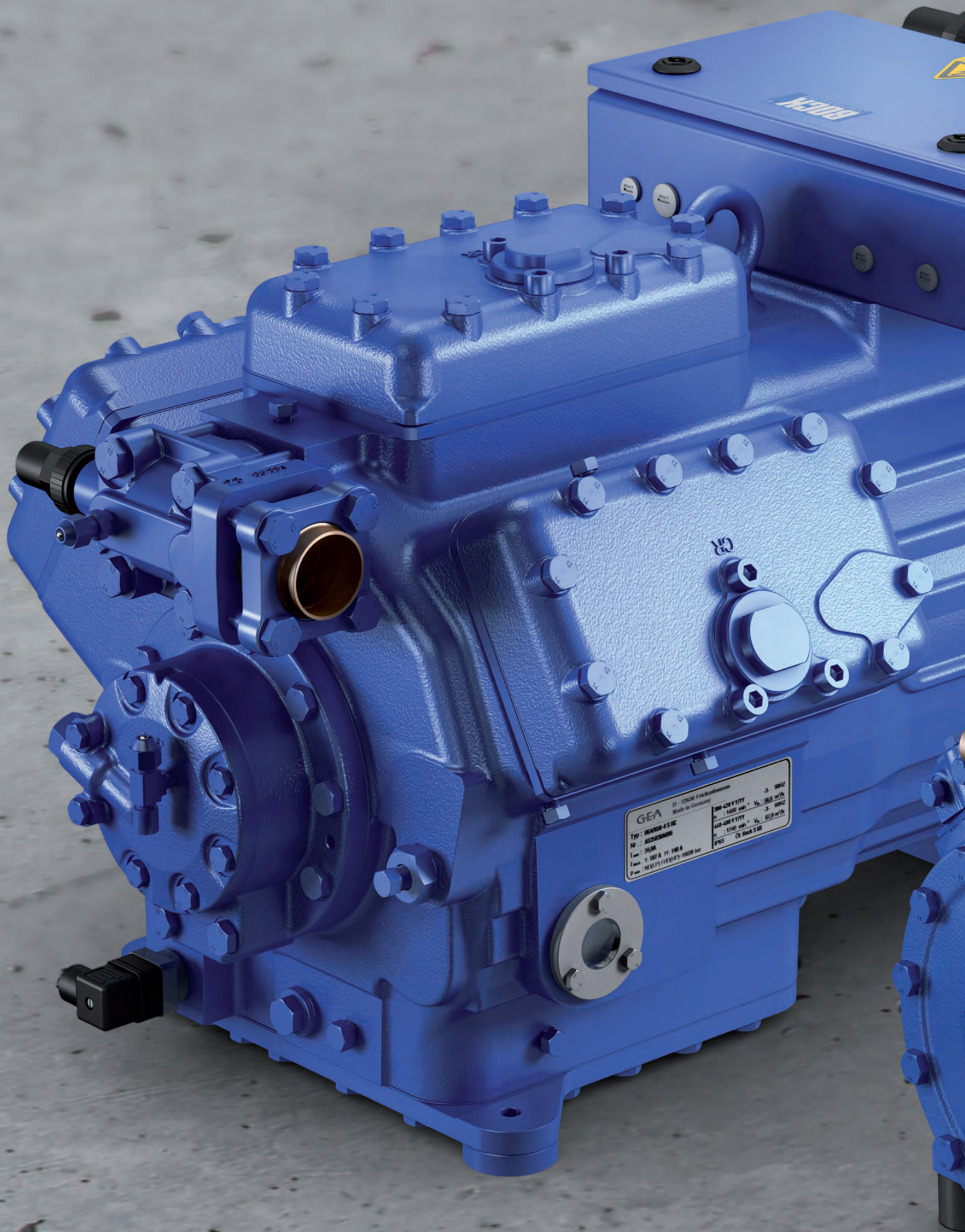
A semi-hermetic compressor with the advantages of an open type.



- ① Suction gas is fed directly into the compressor
- ② The motor is cooled by an integrated ventilation unit
- ③ Cool air is directed over the motor through an air duct hood

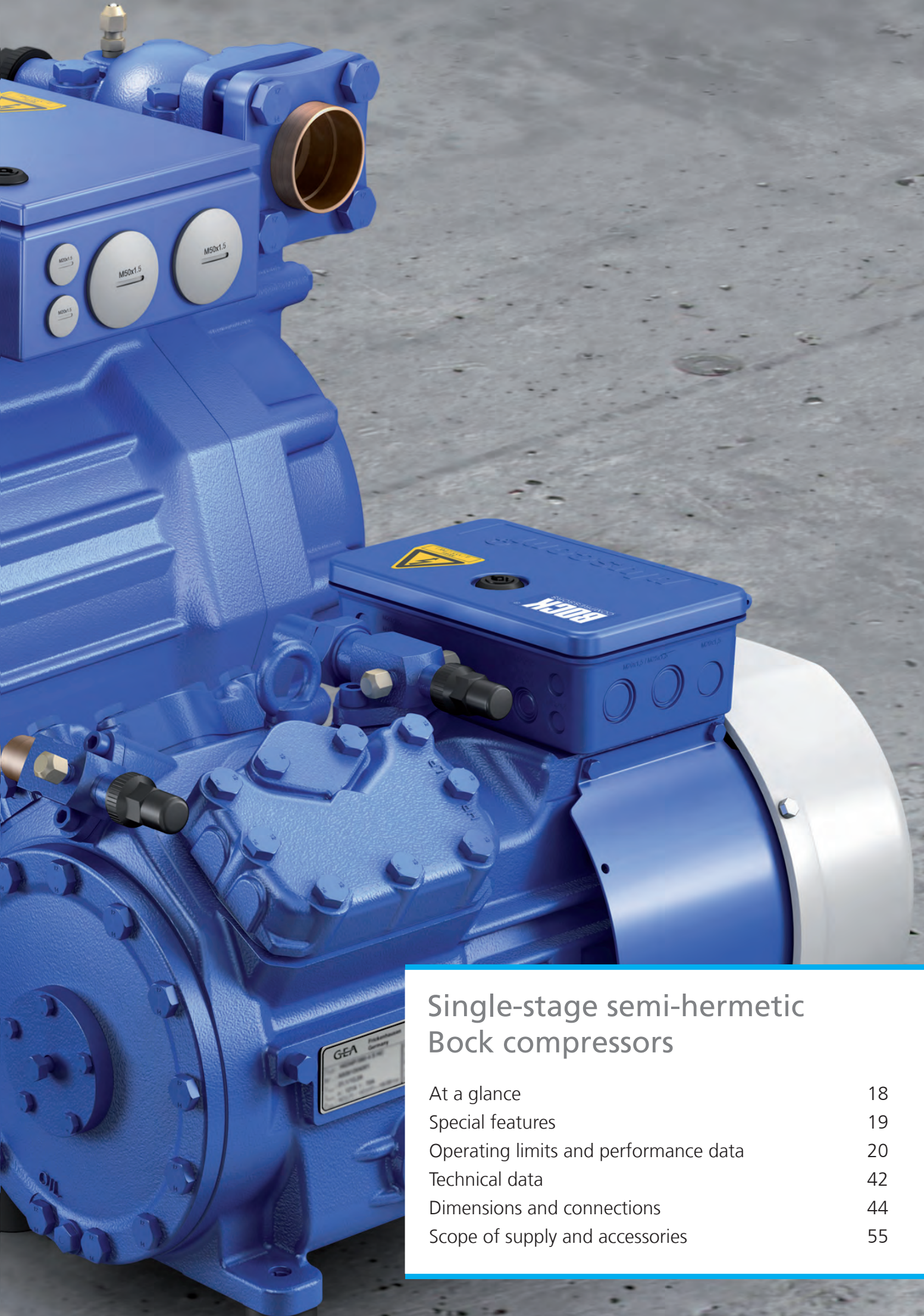
This results in a reduced discharge gas temperature and therefore an extended range of applications combined with improved capacity (deep-freezing - e.g. R22, R404A). In addition, the compressor is separate from the motor, which is a particular advantage in the event of a motor burn-out.





D: 70260 Fischenhausen
GEA
Typ: MGA400-45 HC
Nv.: ACCORONOR
Tmax: 200A
Tmax: 4.100 A 11.100 A
Pmax: 1000/1200/1500 bar

3000 420 V/1771	3 - 0892
25 - 1400 380 -	Va: 360 m³/h
440-480 V/1771	3 - 0892
15 - 1700 380 -	Va: 400 m³/h
IP55 O2 Druck 5 bar	



Single-stage semi-hermetic Bock compressors

At a glance	18
Special features	19
Operating limits and performance data	20
Technical data	42
Dimensions and connections	44
Scope of supply and accessories	55

The Bock semi-hermetic compressor program provides a full performance range of innovative and modern compressor designs in 2, 4, 6 and 8 cylinder constructions. The ideal solution for any kind of application.

HG (Hermetic Gas-cooled)

Conventional suction gas-cooled compressor design

HA (Hermetic Air-cooled)

Special Bock design for deep-freezing (R22/R404A) with an air-cooled motor and direct suction at the cylinder.

All the compressors display the same particularly remarkable features:

- Outstanding running comfort
- High efficiency and reliability to the highest quality standard
- Easy maintenance, e.g. interchangeable motors
- Oil pump lubrication
- Bock MP10 electronic motor protection, especially easy to operate with LED status indicators
- Suitable for conventional and chlorine-free HFC refrigerants

Available versions:

The Bock semi-hermetic program provides the following product variants:

- Single-stage HG (HA) compressors
- Two-stage HGZ compressors
- Duplex DHG (DHA) compressors
- SHG (SHA) compressor units with receiver
- SHG (SHA) condenser units air-cooled

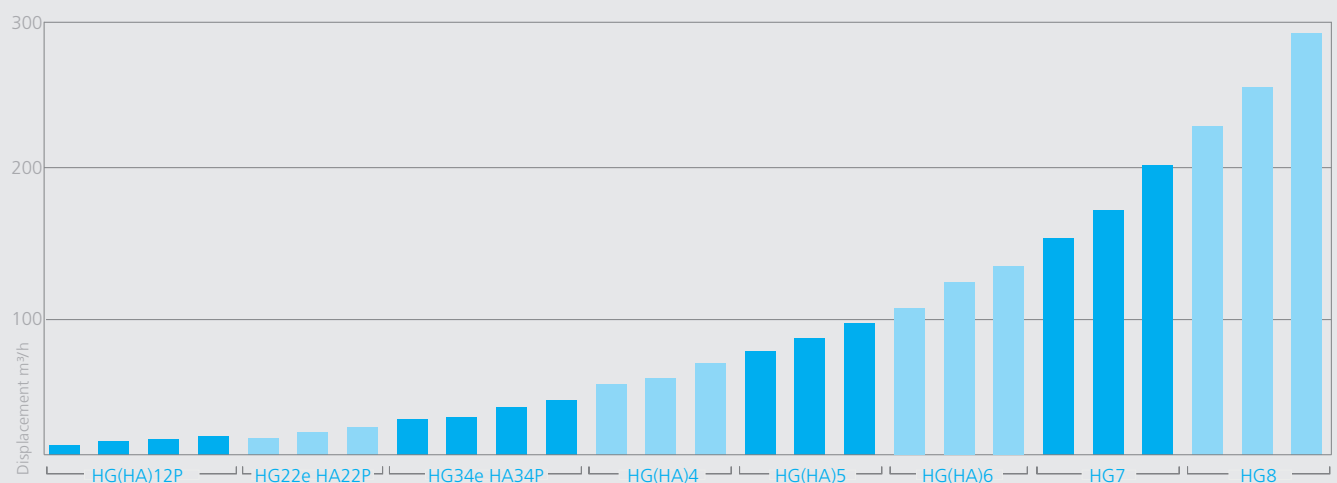
Forward looking compressor models

Bock offers a choice of interesting compressor versions in the established semi-hermetic range for current market trends such as alternative refrigerants, deep-freezing or EX protection.

- **HA (Hermetic Air-cooled)**, air-cooled compressors for deep-freezing applications
- **CO₂ Compressors (subcritical)**, for subcritical cascade systems
- **CO₂ Compressors (transcritical)**, for transcritical CO₂ applications
- **R410A Compressors**, for the refrigerant R410A
- **ATEX (ATmospheres EXplosibles)**, for explosion-risk environments

The current program

...8 model sizes with 26 capacity stages from 5,4 to 279,8 m³/h (50 Hz)

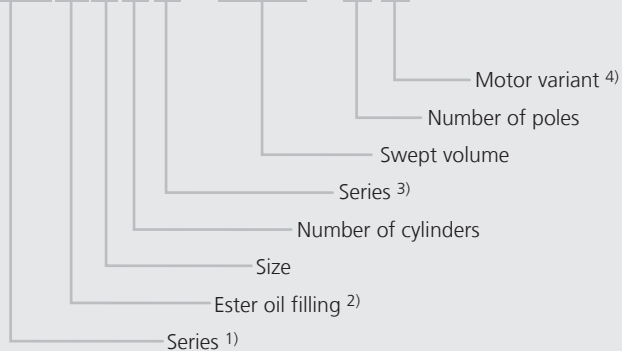




- 1
- 2
- 3
- 4

Type key

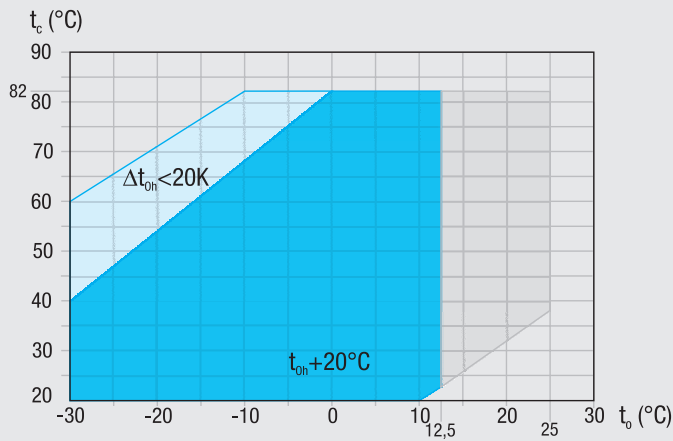
HGX34e / 215 - 4S



- 1) HG = Hermetic Gas-Cooled (suction gas-cooled)
HA = Hermetic Air-Cooled (for deep-freezing)
- 2) X = Ester oil filling
(HFC refrigerants e.g. R134a, R404A, R507, R407C)
- 3) e = Additional declaration for e-series compressors
P = Additional declaration for Pluscom compressors
- 4) S = More powerful motor e.g. air-conditioning applications

R134a Operating limits

HGX12P / HGX22e / HGX34e
HGX4 / HGX5 / HGX6 / HGX7 / HGX8



- Unlimited application range
- Supplementary cooling or reduced suction gas temperature
- Motor version -S- (more powerful motor)

- t_o Evaporating temperature (°C)
- t_c Condensing temperature (°C)
- Δt_{oh} Suction gas superheat (K)
- t_{oh} Suction gas temperature (°C)

1) LP = low pressure HP = high pressure

Max. permissible operating pressure (LP/HP)¹⁾: 19/28 bar

R134a Notes

Operating limits

Compressor operation is possible within the limits shown on the application diagrams. Please note the coloured areas. Compressor application limits should not be chosen for design purposes or continuous operation.

Restrictions to the operating limits may occur when using the Bock EFC (Electronic Frequency Control). Further explanation see separate brochure "Bock semi-hermetic compressors - Electronic Controls".

Performance data

The performance data for R134a are based on ISO-DIS 9309 (DIN 8928) with a 50 Hz power supply frequency. This signifies: 25 °C suction gas temperature without liquid subcooling.

For Pluscom compressors and HGX8/2470-4 operating at 50 Hz already comply with EN 12900. This signifies 20 °C suction gas temperature without liquid subcooling.

This results in significant differences compared to specifications with liquid undercooling and/or suction-gas temperatures.

A comprehensive modification to 20 °C suction gas temperature will follow at a later date.

Conversion factor for 60 Hz = 1,2

Performance data for other operating points, see GEA Bock software.

ASERCOM certified performance data



For compressors with this label, the performance data are certified according to the strict requirements of ASERCOM.

ASERCOM is the Association of European Refrigeration Compressors and Controls Manufacturers.

Information about the Association and the constantly updated overview of certified Bock compressors can be found at www.asercom.org and www.bock.de.

R134a		Performance data											50 Hz		
Type	Cond. temp. °C		Cooling capacity \dot{Q}_o [W]										Power consumption P_e [kW]		
			Evaporating temperature °C												
			12,5	10	7,5	5	0	-5	-10	-15	-20	-25	-30		
HGX12P/60-4 S	30	Q	4920	4486	4078	3697	3009	2415	1908	1480	1125	836	605		
		P	0,70	0,71	0,71	0,71	0,68	0,65	0,60	0,54	0,49	0,44	0,40		
	40	Q	4254	3874	3518	3185	2585	2066	1622	1246	931	670	455		
		P	0,85	0,84	0,83	0,81	0,77	0,71	0,65	0,59	0,54	0,49	0,45		
	50	Q	3620	3292	2985	2698	2181	1734	1349	1021	742	504	302		
		P	0,99	0,97	0,94	0,91	0,85	0,77	0,70	0,63	0,57	0,52	0,49		
60	Q	3018	2740	2480	2237	1799	1419	1090	806	558	340	145			
	P	1,12	1,08	1,04	1,00	0,91	0,82	0,74	0,66	0,59	0,55	0,52			
HGX12P/75-4	30	Q	6147	5604	5095	4619	3760	3017	2383	1849	1405	1044	756		
		P	0,88	0,89	0,89	0,88	0,85	0,81	0,75	0,68	0,61	0,55	0,50		
	40	Q	5315	4840	4395	3979	3229	2581	2027	1557	1163	837	569		
		P	1,06	1,05	1,04	1,02	0,96	0,89	0,82	0,74	0,67	0,61	0,57		
	50	Q	4523	4113	3729	3371	2725	2166	1686	1276	927	630	377		
		P	1,24	1,21	1,18	1,14	1,06	0,97	0,88	0,79	0,71	0,65	0,62		
60	Q	3770	3423	3098	2795	2248	1773	1362	1006	697	425	182			
	P	1,40	1,35	1,30	1,25	1,14	1,03	0,92	0,82	0,74	0,68	0,65			
HGX12P/90-4	30	Q	7295	6663	6069	5511	4501	3623	2869	2229	1696	1259	911		
		P	1,09	1,11	1,12	1,13	1,11	1,06	1,00	0,92	0,83	0,74	0,65		
	40	Q	6377	5811	5280	4782	3883	3104	2437	1872	1402	1016	707		
		P	1,34	1,34	1,32	1,30	1,24	1,16	1,06	0,96	0,85	0,74	0,65		
	50	Q	5481	4981	4513	4075	3286	2606	2025	1535	1127	792	521		
		P	1,60	1,57	1,53	1,49	1,39	1,27	1,14	1,01	0,89	0,77	0,67		
60	Q	4611	4176	3771	3393	2714	2132	1637	1222	876	591	358			
	P	1,83	1,78	1,72	1,65	1,51	1,36	1,21	1,06	0,91	0,79	0,69			
HGX12P/110-4	30	Q	8619	7858	7145	6477	5272	4231	3342	2593	1971	1464	1060		
		P	1,23	1,24	1,25	1,24	1,20	1,13	1,05	0,95	0,86	0,78	0,71		
	40	Q	7453	6787	6163	5580	4528	3619	2842	2183	1631	1173	797		
		P	1,49	1,48	1,45	1,42	1,35	1,25	1,14	1,04	0,94	0,85	0,79		
	50	Q	6342	5767	5229	4726	3820	3037	2364	1789	1299	883	528		
		P	1,74	1,70	1,65	1,60	1,48	1,36	1,23	1,11	1,00	0,92	0,87		
60	Q	5287	4800	4344	3919	3152	2486	1910	1411	977	596	255			
	P	1,96	1,89	1,82	1,75	1,60	1,44	1,29	1,15	1,04	0,96	0,91			
HGX22e/125-4	30	Q	10200	9270	8440	7660	6220	4960	3860	2930	2160	1550	1090		
		P	1,30	1,35	1,38	1,39	1,39	1,34	1,25	1,14	1,02	0,891	0,765		
	40	Q	8990	8200	7450	6740	5440	4300	3310	2480	1790	1260	860		
		P	1,69	1,70	1,69	1,67	1,59	1,48	1,35	1,20	1,05	0,903	0,769		
	50	Q	7800	7090	6420	5780	4630	3620	2750	2020	1440	978	657		
		P	2,02	1,98	1,94	1,88	1,75	1,59	1,41	1,24	1,06	0,908	0,773		
60	Q	6570	5950	5360	4810	3810	2940	2200	1590	1110	744	504			
	P	2,27	2,21	2,13	2,04	1,86	1,66	1,45	1,25	1,07	0,909	0,783			
HGX22e/160-4	30	Q	12800	11600	10600	9560	7780	6240	4920	3810	2870	2110	1490		
		P	1,63	1,65	1,66	1,65	1,63	1,59	1,51	1,41	1,29	1,15	0,983		
	40	Q	11200	10200	9200	8330	6750	5390	4230	3240	2410	1730	1160		
		P	2,07	2,05	2,03	2,00	1,92	1,81	1,68	1,53	1,36	1,17	0,962		
	50	Q	9640	8760	7930	7170	5780	4580	3560	2680	1940	1310	783		
		P	2,46	2,41	2,36	2,29	2,15	1,99	1,80	1,60	1,38	1,14	0,884		
60	Q	8230	7460	6730	6060	4840	3790	2880	2100	1430	844	335			
	P	2,80	2,72	2,63	2,54	2,33	2,11	1,87	1,61	1,34	1,04	0,744			
HGX22e/190-4	30	Q	15300	14000	12900	11700	9630	7800	6180	4790	3610	2640	1870		
		P	2,04	2,06	2,06	2,05	2,00	1,92	1,80	1,65	1,48	1,29	1,09		
	40	Q	13600	12500	11400	10400	8460	6810	5360	4110	3060	2200	1530		
		P	2,59	2,55	2,51	2,46	2,33	2,17	1,98	1,78	1,57	1,34	1,11		
	50	Q	11900	10800	9840	8940	7270	5800	4520	3430	2520	1790	1220		
		P	3,09	3,01	2,92	2,83	2,62	2,39	2,14	1,89	1,63	1,37	1,12		
60	Q	10100	9160	8320	7520	6070	4800	3700	2770	2010	1410	959			
	P	3,54	3,41	3,28	3,14	2,86	2,56	2,26	1,96	1,66	1,37	1,10			
70	Q	8280	7510	6790	6110	4880	3810	2900	2150	1540					
	P	3,91	3,74	3,57	3,39	3,03	2,68	2,32	1,97	1,64					

Relating to 20 °C suction gas temperature, without liquid subcooling

Supplementary cooling or reduced suction gas temp.

1
2
3
4

R134a		Performance data											50 Hz		
Type	Cond. temp. °C	Q	P	Cooling capacity \dot{Q}_o [W]								Power consumption P_e [kW]			
				Evaporating temperature °C											
				12,5	10	7,5	5	0	-5	-10	-15	-20	-25	-30	
HGX5/725-4	30	Q	57279	52351	47725	43390	35549	28736	22862	17835	13564	9960	6930		
		P	10,01	9,65	9,30	8,97	8,34	7,75	7,18	6,62	6,04	5,45	4,81		
	40	Q	51552	47064	42859	38926	31832	25690	20410	15901	12072	8834	6094		
		P	11,27	10,84	10,42	10,01	9,23	8,48	7,75	7,02	6,28	5,51	4,69		
	50	Q	44810	40821	37097	33626	27398	22047	17481	13610	10343	7589	5259		
	P	12,58	12,05	11,54	11,04	10,07	9,13	8,20	7,27	6,32	5,34	4,31			
HGX5/830-4	30	Q	65754	60097	54786	49810	40808	32988	26244	20474	15571	11433	7956		
		P	11,49	11,08	10,68	10,30	9,58	8,90	8,24	7,59	6,94	6,25	5,53		
	40	Q	59180	54028	49200	44686	36541	29491	23430	18254	13859	10141	6995		
		P	12,94	12,44	11,96	11,49	10,60	9,74	8,90	8,06	7,21	6,32	5,39		
	50	Q	51440	46861	42586	38601	31452	25309	20067	15623	11873	8712	6037		
	P	14,44	13,83	13,25	12,67	11,56	10,48	9,42	8,35	7,26	6,13	4,95			
HGX5/945-4	30	Q	74814	68376	62334	56673	46431	37533	29860	23294	17717	13009	9052		
		P	13,08	12,60	12,15	11,71	10,89	10,12	9,38	8,64	7,89	7,12	6,29		
	40	Q	67334	61471	55979	50842	41576	33554	26658	20768	15768	11538	7959		
		P	14,73	14,16	13,61	13,08	12,06	11,08	10,12	9,17	8,20	7,19	6,13		
	50	Q	58527	53317	48453	43920	35785	28796	22832	17776	13509	9913	6869		
	P	16,43	15,74	15,07	14,42	13,16	11,93	10,71	9,50	8,26	6,98	5,64			
HGX6/1080-4	30	Q	85736	78334	71386	64875	53098	42867	34049	26509	20114	14729	10219		
		P	14,90	14,37	13,87	13,39	12,46	11,59	10,74	9,90	9,04	8,14	7,19		
	40	Q	77231	70507	64206	58310	47666	38441	30501	23712	17939	13049	8906		
		P	16,80	16,16	15,53	14,93	13,77	12,65	11,56	10,47	9,36	8,22	7,01		
	50	Q	67028	61090	55541	50366	41068	33062	26213	20387	15449	11267	7704		
	P	18,77	17,98	17,21	16,46	15,01	13,59	12,20	10,82	9,41	7,96	6,46			
HGX6/1240-4	30	Q	98422	89924	81948	74474	60954	49209	39087	30432	23090	16908	11731		
		P	17,10	16,50	15,92	15,37	14,31	13,31	12,33	11,36	10,38	9,35	8,25		
	40	Q	88658	80940	73706	66937	54718	44128	35014	27220	20593	14979	10224		
		P	19,29	18,55	17,83	17,14	15,81	14,52	13,27	12,02	10,75	9,43	8,05		
	50	Q	76946	70129	63759	57818	47145	37954	30091	23403	17735	12934	8844		
	P	21,55	20,64	19,76	18,90	17,23	15,61	14,01	12,42	10,80	9,14	7,41			
HGX6/1410-4	30	Q	111982	102314	93239	84735	69352	55989	44472	34624	26271	19237	13347		
		P	19,46	18,77	18,11	17,48	16,28	15,14	14,03	12,93	11,81	10,63	9,39		
	40	Q	100873	92091	83861	76160	62257	50208	39838	30970	23431	17043	11632		
		P	21,95	21,10	20,29	19,50	17,98	16,53	15,10	13,68	12,23	10,73	9,16		
	50	Q	87547	79791	72544	65784	53640	43183	34237	26628	20179	14716	10062		
	P	24,52	23,49	22,48	21,50	19,60	17,76	15,94	14,13	12,29	10,40	8,43			
HGX7/1620-4	30	Q	121493	110976	101143	91966	75469	61262	49126	38837	30174	22916	16842		
		P	16,46	16,72	16,84	16,83	16,46	15,69	14,61	13,32	11,90	10,44	9,03		
	40	Q	108919	99297	90317	81950	66947	54067	43088	33788	25945	19339	13748		
		P	21,03	20,91	20,66	20,30	19,29	17,97	16,41	14,72	12,99	11,29	9,73		
	50	Q	95988	87281	79173	71637	58168	46654	36872	28600	21618	15703	10634		
	P	25,19	24,70	24,11	23,42	21,82	19,98	17,99	15,95	13,94	12,05	10,37			
HGX5/830-4	60	Q	82743	74970	67755	61069	49175	39066	30521	23318	17235	12052	7545		
		P	28,86	28,03	27,11	26,12	23,97	21,65	19,28	16,92	14,68	12,64	10,89		
	70	Q	69228	62411	56108	50292	40012	31348	24080	17985	12842				
		P	31,98	30,82	29,60	28,32	25,66	22,92	20,19	17,56	15,13				

- 1
- 2
- 3
- 4

Relating to 25 °C suction gas temperature, without liquid subcooling



Supplementary cooling or reduced suction gas temp.

R134a			Performance data										50 Hz	
Type	Cond. temp. °C		Cooling capacity \dot{Q}_o [W]						Power consumption P_e [kW]					
			Evaporating temperature °C											
			12,5	10	7,5	5	0	-5	-10	-15	-20	-25	-30	
HGX7/1860-4	30	Q	139469	127396	116108	105573	86635	70327	56394	44583	34639	26307	19334	
		P	18,89	19,20	19,34	19,32	18,90	18,01	16,78	15,29	13,66	11,98	10,37	
	40	Q	125034	113989	103680	94075	76853	62067	49463	38787	29784	22201	15782	
		P	24,14	24,00	23,72	23,31	22,15	20,62	18,84	16,90	14,91	12,96	11,17	
	50	Q	110190	100194	90887	82236	66775	53557	42327	32832	24817	18027	12208	
		P	28,92	28,36	27,68	26,89	25,05	22,94	20,65	18,31	16,00	13,83	11,91	
60	Q	94985	86063	77780	70105	56451	44847	35037	26768	19786	13835	8662		
	P	33,13	32,18	31,12	29,99	27,51	24,86	22,13	19,42	16,85	14,51	12,50		
70	Q	79471	71645	64409	57733	45932	35987	27643	20646	14742				
	P	36,71	35,38	33,98	32,51	29,45	26,31	23,18	20,16	17,37				
HGX7/2110-4	30	Q	158685	144949	132106	120119	98571	80016	64164	50725	39411	29932	21997	
		P	21,49	21,84	22,00	21,99	21,50	20,49	19,09	17,40	15,54	13,64	11,80	
	40	Q	142261	129694	117965	107037	87442	70618	56278	44131	33888	25259	17956	
		P	27,47	27,31	26,99	26,52	25,20	23,47	21,44	19,23	16,96	14,75	12,71	
	50	Q	125371	113999	103409	93566	75975	60936	48159	37356	28236	20510	13890	
		P	32,90	32,26	31,49	30,59	28,50	26,10	23,50	20,83	18,20	15,74	13,55	
60	Q	108072	97921	88497	79764	64229	51026	39864	30456	22512	15741	9855		
	P	37,70	36,61	35,41	34,12	31,30	28,28	25,18	22,10	19,17	16,50	14,22		
70	Q	90421	81516	73284	65688	52260	40945	31451	23490	16773				
	P	41,77	40,25	38,66	36,99	33,51	29,93	26,37	22,94	19,77				
HGX8/2470-4	30	Q	180980	165373	150688	136898	111894	90139	71410	55486	42145	31167	22328	
		P	28,60	28,57	28,38	28,02	26,89	25,25	23,21	20,85	18,25	15,51	12,72	
	40	Q	162981	148715	135302	122715	99905	80064	62970	48402	36137	25955	17633	
		P	36,03	35,34	34,51	33,54	31,25	28,57	25,58	22,37	19,02	15,64	12,30	
	50	Q	143344	130506	118452	107152	86709	68954	53667	40626	29610	20396	12762	
		P	42,17	40,85	39,41	37,87	34,51	30,85	26,99	23,01	18,99	15,03	11,22	
60	Q	122458	111134	100523	90598	72692	57197	43889	32547	22950	14877	8104		
	P	47,04	45,14	43,14	41,06	36,70	32,14	27,48	22,80	18,19	13,73	9,53		
70	Q	100710	90986	81905	73439	58244	45179	34022	24552	16547				
	P	50,70	48,24	45,72	43,14	37,86	32,48	27,09	21,79	16,65				
HGX8/2830-4	30	Q	210768	192307	174998	158801	129576	104304	82654	64297	48905	36146	25692	
		P	35,60	35,08	34,39	33,54	31,42	28,87	26,05	23,09	20,14	17,35	14,88	
	40	Q	189115	172156	156289	141473	114827	91890	72331	55821	42031	30631	21293	
		P	41,56	40,50	39,29	37,95	34,95	31,67	28,23	24,80	21,51	18,52	15,96	
	50	Q	166558	151192	136858	123512	99626	79203	61916	47433	35427	25566	17523	
		P	47,26	45,66	43,95	42,14	38,31	34,32	30,32	26,45	22,86	19,69	17,10	
60	Q	143108	129426	116713	104929	83982	66256	51419	39145	29102	20961	14394		
	P	52,79	50,68	48,49	46,23	41,61	36,96	32,42	28,16	24,30	21,00	18,41		
70	Q	118776	106867	95867	85734	67907	53056	40852	30965	23067				
	P	58,28	55,68	53,02	50,34	44,96	39,69	34,66	30,03	25,95				
HGX8/3220-4	30	Q	239807	218802	199109	180680	147429	118675	94042	73156	55642	41126	29232	
		P	40,50	39,92	39,13	38,16	35,75	32,85	29,63	26,27	22,92	19,75	16,93	
	40	Q	215170	195875	177822	160965	130648	104550	82296	63512	47822	34852	24226	
		P	47,29	46,08	44,70	43,17	39,77	36,03	32,12	28,22	24,47	21,07	18,16	
	50	Q	189506	172023	155713	140530	113352	90116	70446	53969	40308	29089	19937	
		P	53,77	51,95	50,00	47,94	43,59	39,05	34,50	30,09	26,01	22,41	19,46	
60	Q	162825	147258	132794	119386	95553	75384	58504	44538	33111	23849	16377		
	P	60,06	57,66	55,17	52,60	47,34	42,05	36,89	32,04	27,65	23,90	20,95		
70	Q	135141	121591	109075	97546	77263	60366	46481	35232	26245				
	P	66,32	63,35	60,33	57,28	51,16	45,15	39,44	34,17	29,53				

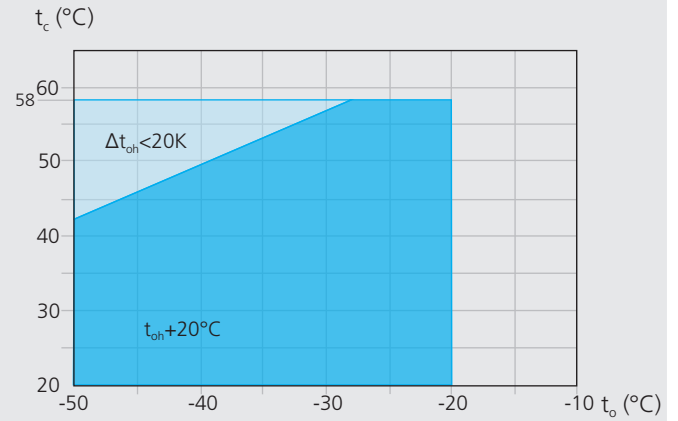
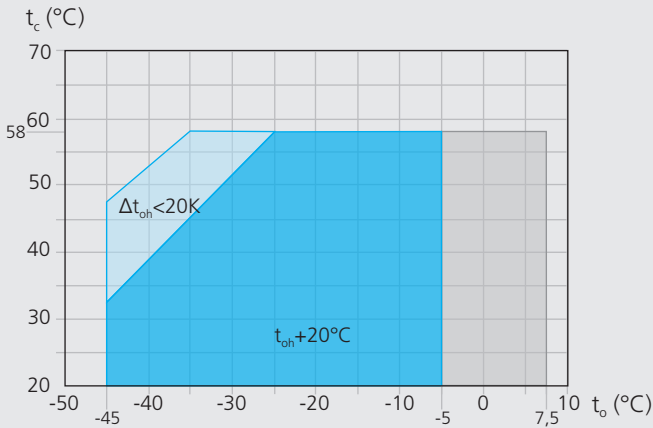
Relating to 25 °C suction gas temperature
(HGX8/2470-4 to 20 °C suction gas temperature)
without liquid subcooling

Supplementary cooling or reduced suction gas temp.

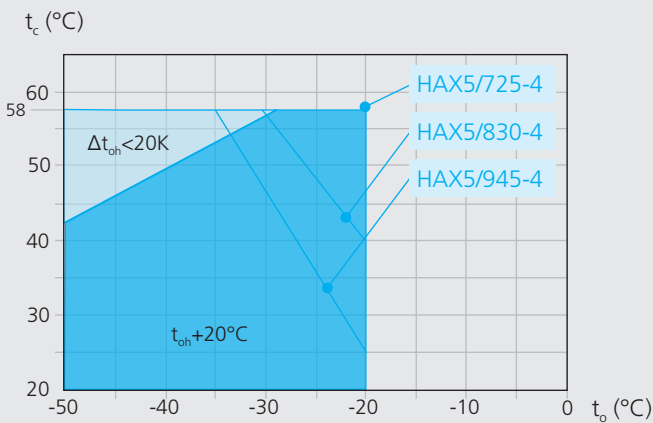
R404A/R507 Operating limits

HGX12P / HGX22e / HGX34e /
HGX4 / HGX5 / HGX6^① / HGX7 / HGX8^②

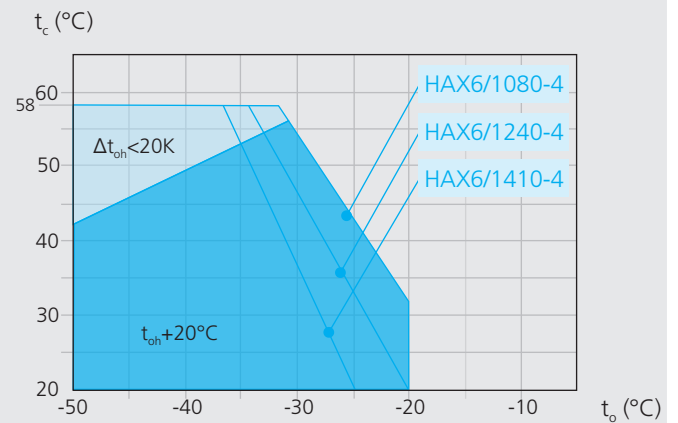
HAX12P / HAX22P / HAX34P / HAX4



HAX5



HAX6



Max. permissible operating pressure (LP/HP)¹⁾: 19/28 bar

¹⁾ LP = low pressure HP = high pressure

- ① **HGX6/1410-4S**
Max. evaporating temperature
 $t_o = 2\text{ °C}$
HGX6/1410-4
Max. evaporating temperature
 $t_o = -7\text{ °C}$
- ② **HGX8/2830-4**
Max. evaporating temperature
 $t_o = 0\text{ °C}$

- Unlimited application range
- HG Supplementary cooling or reduced suction gas temperature
- HA reduced suction gas temperature
- Motor version -S- (more powerful motor)
- t_o Evaporating temperature (°C)
- t_c Condensing temperature (°C)
- Δt_{oh} Suction gas superheat (K)
- t_{oh} Suction gas temperature (°C)

R404A/R507 Notes

Operating limits

Compressor operation is possible within the limits shown on the application diagrams. Please note the coloured areas. Compressor application limits should not be chosen for design purposes or continuous operation.

Restrictions to the operating limits may occur when using the Bock EFC (Electronic Frequency Control).

Further explanation see separate brochure "Bock semi-hermetic compressors - Electronic Controls".

Performance data

The performance data for R404A/R507 are based on European Standard EN 12900 with a 50 Hz power supply frequency.

This signifies: **20 °C suction gas temperature without liquid sub-cooling.**

This leads to significant differences compared to systems with liquid subcooling and/or other suction gas temperatures.

Performance data were compiled for R404A and R507.

The base values are the data for R404A.

Conversion factor for 60 Hz = 1,2

Performance data for other operating points, see GEA Bock software.

ASERCOM certified performance data



For compressors with this label, the performance data are certified according to the strict requirements of ASERCOM.

ASERCOM is the Association of European Refrigeration Compressors and Controls Manufacturers.

Information about the Association and the constantly updated overview of certified Bock compressors can be found at www.asercom.org and www.bock.de.

R404A/R507		Performance data											50 Hz	
Type	Cond. temp. °C	Q	Cooling capacity \dot{Q}_o [W]										Power consumption P_e [kW]	
			Evaporating temperature °C										-40	-45
			7,5	5	0	-5	-10	-15	-20	-25	-30	-35		
HGX12P/60-4 S ¹⁾	30	P	6535	5989	4990	4108	3336	2667	2094	1610	1207	878	616	414
	40	Q	5537	5060	4191	3428	2764	2193	1706	1297	959	684	465	296
		P	1,49	1,48	1,43	1,37	1,28	1,18	1,06	0,95	0,83	0,71	0,61	0,52
HAX12P/60-4	30	P							2327	1851	1442	1097	809	573
	40	Q							1,04	0,95	0,86	0,75	0,66	0,56
		P								1956	1538	1182	883	635
HGX12P/75-4 ¹⁾	30	Q	8160	7498	6284	5227	4288	3469	2764	2164	1661	1246	911	648
		P	1,52	1,54	1,55	1,50	1,45	1,37	1,26	1,15	1,03	0,91	0,79	0,68
	40	Q	6934	6357	5304	4419	3606	2902	2299	1789	1364	1015	734	513
P		1,91	1,89	1,83	1,73	1,63	1,50	1,37	1,23	1,08	0,94	0,81	0,69	
HAX12P/75-4	30	Q							2888	2296	1789	1361	1004	711
		P							1,29	1,18	1,06	0,94	0,81	0,70
	40	Q								2427	1908	1466	1095	788
P									1,39	1,25	1,10	0,95	0,80	0,67
HGX12P/90-4 ¹⁾	30	Q	9738	8948	7500	6085	5000	4052	3231	2529	1937	1446	1047	730
		P	1,85	1,86	1,86	1,78	1,69	1,58	1,46	1,32	1,18	1,03	0,89	0,75
	40	Q	8288	7600	6344	5145	4202	3381	2676	2075	1571	1155	817	549
P		2,27	2,25	2,17	2,02	1,88	1,72	1,56	1,39	1,21	1,04	0,88	0,72	
HAX12P/90-4	30	Q							3407	2698	2089	1574	1146	796
		P							1,56	1,43	1,29	1,15	1,00	0,86
	40	Q								2853	2229	1699	1254	889
P									1,67	1,50	1,33	1,15	0,98	0,82
HGX12P/110-4 ¹⁾	30	Q	11247	10345	8691	7218	5966	4868	3914	3094	2397	1814	1334	946
		P	2,17	2,18	2,16	2,15	2,05	1,92	1,76	1,59	1,41	1,23	1,05	0,88
	40	Q	9581	8796	7361	6125	5039	4091	3270	2567	1972	1473	1062	728
P		2,65	2,62	2,53	2,47	2,30	2,10	1,89	1,68	1,46	1,25	1,05	0,88	
HAX12P/110-4	30	Q							4092	3265	2558	1960	1461	1051
		P							1,78	1,63	1,46	1,28	1,11	0,94
	40	Q								3451	2726	2109	1590	1159
P									1,94	1,74	1,52	1,30	1,10	0,92
HGX22e/125-4	30	Q	13400	12400	10500	8790	7250	5870	4650	3590	2680	1920	1320	857
		P	2,19	2,23	2,26	2,24	2,16	2,03	1,88	1,69	1,49	1,28	1,07	0,878
	40	Q	11600	10700	8970	7460	6090	4880	3820	2900	2120	1490	992	640
P		2,77	2,75	2,68	2,58	2,41	2,22	2,00	1,76	1,52	1,28	1,06	0,853	
HAX22P/125-4	30	Q							4728	3791	2981	2291	1715	1247
		P							1,92	1,71	1,51	1,32	1,13	0,94
	40	Q								3959	3158	2466	1876	1382
P									2,09	1,84	1,60	1,37	1,14	0,92
HGX22e/160-4	30	Q	16900	15600	13200	10900	8980	7320	5850	4560	3450	2510	1750	1170
		P	2,71	2,75	2,78	2,73	2,62	2,47	2,29	2,07	1,84	1,59	1,34	1,08
	40	Q	14500	13400	11200	9170	7540	6090	4810	3700	2750	1960	1330	851
P		3,42	3,40	3,30	3,17	2,96	2,72	2,47	2,19	1,91	1,62	1,34	1,07	
HAX22P/160-4	30	Q							5837	4680	3680	2828	2118	1540
		P							2,37	2,11	1,87	1,63	1,40	1,17
	40	Q								4888	3899	3044	2316	1706
P									2,58	2,27	1,98	1,69	1,41	1,14
HGX22e/160-4 S	30	Q							3964	3134	2414	1799	1281	851
		P							2,74	2,38	2,03	1,69	1,36	1,03

- 1
- 2
- 3
- 4

Relating to 20 °C suction gas temp. without liquid subcooling

¹⁾ Compressors (R404A) are ASERCOM certified



Motor version -S- (more powerful motor)

Supplementary cooling or reduced suction gas temp.

R404A/R507		Performance data											50 Hz		
Type	Cond. temp. °C	Q P	Cooling capacity \dot{Q}_o [W]									Power consumption P_e [kW]			
			Evaporating temperature °C												
			7,5	5	0	-5	-10	-15	-20	-25	-30	-35	-40	-45	
HGX22e/190-4 HGX22e/190-4 S	30	Q P	20800 3,46	19200 3,48	16100 3,46	13300 3,41	11000 3,26	8920 3,07	7140 2,84	5620 2,57	4330 2,29	3240 2,00	2350 1,70	1620 1,41	
	40	Q P	17800 4,28	16400 4,23	13700 4,09	11300 3,93	9200 3,68	7450 3,39	5940 3,08	4640 2,74	3540 2,39	2620 2,03	1860 1,68	1230 1,35	
	50	Q P	14800 5,04	13600 4,93	11300 4,66	9150 4,40	7460 4,06	6000 3,68	4750 3,27	3680 2,85	2780 2,43	2020 2,01	1390 1,61		
HAX22P/190-4	30	Q P							7063 2,87	5663 2,55	4453 2,26	3422 1,97	2562 1,69	1863 1,41	
	40	Q P							5915 3,12	4718 2,75	3684 2,39	2802 2,05	2064 1,71	1460 1,37	
	50	Q P							4797 3,31	3792 2,88	2922 2,45	2177 2,04	1550 1,64	1030 1,25	
HGX34e/215-4 ¹⁾ HGX34e/215-4 S ¹⁾	30	Q P	23900 3,83	21900 3,85	18200 3,84	14600 3,70	11900 3,52	9470 3,26	7390 2,94	5610 2,58	4120 2,21	2900 1,84	1940 1,49	1220 1,18	
	40	Q P	20200 4,72	18500 4,65	15300 4,48	12200 4,26	9840 3,94	7770 3,56	5990 3,14	4480 2,70	3230 2,27	2220 1,85	1430 1,47	851 1,15	
	50	Q P	16500 5,48	15000 5,33	12200 4,99	9770 4,67	7800 4,23	6090 3,75	4630 3,25	3420 2,74	2420 2,26	1630 1,81	1040 1,42		
HAX34P/215-4	30	Q P							8042 3,26	6449 2,91	5071 2,57	3897 2,24	2918 1,92	2122 1,61	
	40	Q P							6735 3,56	5372 3,13	4194 2,73	3190 2,33	2350 1,95	1662 1,57	
	50	Q P							5462 3,77	4317 3,27	3327 2,79	2479 2,33	1765 1,87	1172 1,42	
HGX34e/255-4 ¹⁾ HGX34e/255-4 S ¹⁾	30	Q P	28000 4,57	25700 4,61	21500 4,59	17200 4,44	14200 4,23	11500 3,95	9120 3,61	7080 3,22	5350 2,81	3900 2,39	2730 1,97	1820 1,58	
	40	Q P	23800 5,64	21800 5,58	18100 5,38	14500 5,14	11800 4,76	9460 4,33	7430 3,86	5680 3,37	4210 2,87	3010 2,38	2050 1,92	1320 1,50	
	50	Q P	19500 6,55	17700 6,40	14600 6,02	11700 5,68	9410 5,15	7450 4,58	5760 4,00	4330 3,41	3150 2,84	2200 2,30	1480 1,80		
HAX34P/255-4	30	Q P							9456 3,84	7582 3,42	5962 3,02	4582 2,64	3430 2,26	2495 1,89	
	40	Q P							7919 4,18	6317 3,68	4932 3,20	3751 2,74	2763 2,29	1955 1,84	
	50	Q P							6422 4,44	5076 3,85	3911 3,28	2915 2,73	2075 2,20	1379 1,67	
HGX34e/315-4 ¹⁾ HGX34e/315-4 S ¹⁾	30	Q P	33800 5,86	31000 5,82	26000 5,67	21300 5,47	17600 5,20	14300 4,85	11400 4,43	8840 3,98	6700 3,49	4930 2,99	3490 2,49	2370 2,01	
	40	Q P	28700 7,05	26300 6,92	22000 6,59	17900 6,29	14700 5,83	11900 5,32	9350 4,76	7220 4,18	5400 3,58	3880 2,98	2650 2,40	1690 1,86	
	50	Q P	23500 8,13	21500 7,90	17800 7,39	14500 6,97	11800 6,34	9430 5,67	7370 4,96	5600 4,25	4100 3,54	2840 2,85	1820 2,20		
HAX34P/315-4	30	Q P							11674 4,74	9361 4,22	7360 3,73	5657 3,26	4235 2,79	3080 2,33	
	40	Q P							9776 5,16	7798 4,55	6088 3,96	4631 3,38	3411 2,82	2413 2,27	
	50	Q P							7929 5,48	6267 4,75	4829 4,05	3599 3,38	2562 2,71	1702 2,06	
HGX34e/380-4 ¹⁾ HGX34e/380-4 S ¹⁾	30	Q P	40900 7,20	37600 7,15	31700 6,98	25800 6,84	21200 6,45	17300 5,98	13800 5,46	10900 4,88	8300 4,28	6200 3,67	4490 3,05	3120 2,45	
	40	Q P	34600 8,75	31800 8,59	26700 8,18	21600 7,84	17700 7,25	14300 6,59	11400 5,90	8850 5,18	6730 4,45	4960 3,72	3510 3,00	2340 2,33	
	50	Q P	28400 10,10	26000 9,86	21800 9,23	17600 8,73	14300 7,92	11500 7,08	9030 6,22	6960 5,34	5210 4,47	3760 3,62	2550 2,81		
HAX34P/380-4	30	Q P							14125 5,73	11327 5,11	8906 4,51	6845 3,94	5125 3,38	3726 2,82	
	40	Q P							11829 6,25	9436 5,50	7367 4,79	5604 4,09	4128 3,42	2920 2,75	
	50	Q P							9594 6,63	7583 5,75	5843 4,91	4355 4,09	3100 3,28	2059 2,49	
HGX4/465-4 ¹⁾ HGX4/465-4 S ¹⁾	30	Q P	49311 9,55	45325 9,44	38018 9,13	31142 8,81	25587 8,32	20747 7,71	16575 7,01	13020 6,24	10035 5,45	7569 4,66	5576 3,91	4005 3,21	
	40	Q P	42248 11,33	38764 11,08	32400 10,52	26283 10,08	21490 9,31	17340 8,45	13783 7,53	10770 6,58	8253 5,64	6183 4,73	4511 3,88	3187 3,13	
	50	Q P	34849 12,97	31886 12,59	26502 11,76	21559 11,12	17526 10,09	14061 9,00	11117 7,89	8643 6,78	6592 5,71	4913 4,70	3560 3,79		
HAX4/465-4	30	Q P							18696 7,76	15000 6,86	11814 6,00	9094 5,17	6798 4,35	4884 3,56	
	40	Q P							15696 8,32	12501 7,27	9756 6,26	7420 5,29	5449 4,36	3802 3,46	
	50	Q P							12819 8,76	10124 7,56	7822 6,42	5870 5,33	4225 4,29	2845 3,30	

Relating to 20 °C suction gas temp. without liquid subcooling

¹⁾ Compressors (R404A) are ASERCOM certified



Motor version -S- (more powerful motor)

Supplementary cooling or reduced suction gas temp.

R404A/R507		Performance data												50 Hz	
Type	Cond. temp. °C	Q	Cooling capacity \dot{Q}_o [W]										Power consumption P_e [kW]		
			Evaporating temperature °C												
			7,5	5	0	-5	-10	-15	-20	-25	-30	-35	-40	-45	
HGX4/555-4 ¹⁾	30	Q	59014	54222	45450	37853	31129	25259	20184	15848	12194	9164	6702	4751	
		P	11,52	11,34	10,89	10,34	9,72	8,99	8,19	7,34	6,47	5,59	4,73	3,93	
HGX4/555-4 S ¹⁾	40	Q	50452	46260	38616	32112	26279	21212	16857	13155	10050	7484	5401	3743	
		P	13,64	13,29	12,51	11,84	10,88	9,86	8,81	7,74	6,69	5,67	4,72	3,85	
HAX4/555-4	50	Q	41937	38348	31838	26484	21544	17286	13653	10589	8036	5938	4236		
		P	15,53	15,01	13,93	13,14	11,87	10,58		9,30	8,04	6,83	5,70	4,66	
HGX4/650-4 ¹⁾	30	Q	70903	65224	54821	44444	36811	30119	24302	19297	15039	11465	8510	6110	
		P	14,57	14,19	13,41	12,51	11,70	10,80	9,84	8,84	7,82	6,80	5,80	4,85	
HGX4/650-4 S ¹⁾	40	Q	60855	55879	46795	37928	31232	25384	20322	15982	12298	9208	6647	4550	
		P	16,80	16,29	15,22	14,30	13,15	11,94	10,70	9,45	8,21	7,01	5,86	4,79	
HAX4/650-4	50	Q	50791	46523	38768	31303	25565	20586	16302	12650	9564	6980	4835		
		P	19,05	18,38	17,02	15,79	14,31	12,81	11,31	9,83	8,39	7,02	5,73		
HGX4/725-4 ¹⁾	30	Q	24978	22978	19478	15978	12478	9978	7478	4978	2478	978	478	6747	
		P	9,71	9,62	9,53	9,44	9,35	9,26	9,17	9,08	8,99	8,90	8,81	8,72	
HGX4/725-4 S ¹⁾	40	Q	21012	19812	17612	15412	13212	11012	8812	6612	4412	2212	1012	5268	
		P	10,39	10,30	10,21	10,12	10,03	9,94	9,85	9,76	9,67	9,58	9,49	9,40	
HAX4/725-4	50	Q	17167	16067	14967	13867	12767	11667	10567	9467	8367	7267	6167	3951	
		P	10,93	10,84	10,75	10,66	10,57	10,48	10,39	10,30	10,21	10,12	10,03	9,94	
HGX5/725-4 ¹⁾	30	Q	76254	70105	58815	48024	39230	31558	24934	19288	14546	10636	7486	5024	
		P	13,31	13,28	13,03	12,99	12,20	11,23	10,13	8,94	7,70	6,47	5,28	4,19	
HGX5/725-4 S ¹⁾	40	Q	64689	59328	49517	40164	32541	25933	20266	15468	11467	8191	5568	3525	
		P	16,28	16,01	15,29	14,87	13,61	12,22	10,76	9,25	7,76	6,32	4,98	3,78	
HAX5/725-4	50	Q	53354	48782	40450	32498	26053	20515	15811	11869	8617	5982	3892		
		P	19,02	18,49	17,29	16,31	14,61	12,84	11,04	9,26	7,55	5,94	4,48		
HGX5/830-4 ¹⁾	30	Q	86623	79925	67508	54430	44830	36400	29056	22717	17300	12722	8900	5752	
		P	15,69	15,61	15,23	14,69	13,90	12,93	11,80	10,55	9,21	7,82	6,41	5,01	
HGX5/830-4 S ¹⁾	40	Q	74069	68151	57216	45580	37311	30078	23798	18389	13769	9854	6561	3809	
		P	19,30	18,89	17,91	16,93	15,69	14,28	12,75	11,13	9,45	7,74	6,04	4,38	
HAX5/830-4	50	Q	61445	56332	46927	37034	30091	24051	18831	14348	10520	7263	4496		
		P	22,39	21,68	20,13	18,88	17,17	15,33	13,38	11,38	9,34	7,30	5,29		
HGX5/945-4 ¹⁾	30	Q	99975	91955	77277	63293	52168	42473	34090	26900	20783	15620	11291	7678	
		P	18,52	18,31	17,73	17,40	16,27	15,04	13,74	12,35	10,90	9,38	7,80	6,18	
HGX5/945-4 S ¹⁾	40	Q	84751	77834	65213	52881	43552	35430	28395	22327	17107	12617	8737	5347	
		P	22,17	21,71	20,66	19,84	18,30	16,69	14,99	13,23	11,40	9,52	7,59	5,61	
HAX5/945-4	50	Q	69440	63623	53056	42757	35145	28515	22748	17723	13321	9424	5912		
		P	25,81	25,08	23,50	22,12	20,15	18,09	15,97	13,78	11,54	9,25	6,91		
HGX5/1080-4 ¹⁾	30	Q	113675	104548	87811	72501	59869	48801	39180	30889	23810	17826	12819	8672	
		P	22,05	21,89	21,27	20,82	19,21	17,56	15,88	14,16	12,40	10,60	8,76	6,86	
HGX5/1080-4 S ¹⁾	40	Q	96893	88944	74420	61734	50695	41062	32716	25541	19419	14233	9866	6200	
		P	26,74	26,17	24,80	23,74	21,61	19,46	17,30	15,13	12,94	10,72	8,49	6,22	
HAX5/1080-4	50	Q	80355	73583	61270	51086	41654	33468	26411	20366	15214	10840	7125		
		P	30,79	29,85	27,79	26,12	23,48	20,85	18,23	15,62	13,01	10,40	7,78		
HAX5/1080-4	30	Q	41973	39733	33574	28072	23182	18732	14782	11232	8682	6132	4582	10763	
		P	16,66	16,57	16,48	16,39	16,30	16,21	16,12	16,03	15,94	15,85	15,76	15,67	
HAX5/1080-4	40	Q	28072	26872	22872	19372	16172	13272	10772	8272	5772	3272	1772	8401	
		P	15,55	15,46	15,37	15,28	15,19	15,10	15,01	14,92	14,83	14,74	14,65	14,56	
HAX5/1080-4	50	Q	17547	16347	13847	11647	9647	7847	6347	5147	4147	3347	2747	6297	
		P	13,68	13,59	13,50	13,41	13,32	13,23	13,14	13,05	12,96	12,87	12,78	12,69	

1
2
3
4

Relating to 20 °C suction gas temp. without liquid subcooling

¹⁾ Compressors (R404A) are ASERCOM certified



Motor version -S- (more powerful motor)

Supplementary cooling or reduced suction gas temp.

R404A/R507		Performance data											50 Hz	
Type	Cond. temp. °C	Q P	Cooling capacity \dot{Q}_0 [W]										Power consumption P_e [kW]	
			Evaporating temperature °C											
			7,5	5	0	-5	-10	-15	-20	-25	-30	-35	-40	-45
HGX6/1240-4 ¹⁾ HGX6/1240-4 S ¹⁾	30	Q	133368	122554	102765	83399	68935	56229	45169	35643	27538	20744	15146	10634
		P	27,78	27,28	26,04	23,70	22,26	20,54	18,62	16,56	14,43	12,29	10,21	8,25
	40	Q	113720	104299	87122	71042	58440	47422	37874	29684	22741	16931	12143	8265
	P	33,36	32,38	30,24	27,42	25,14	22,68	20,13	17,53	14,97	12,49	10,17	8,08	
	50	Q	94323	86295	71734	58323	47668	38420	30468	23698	17998	13257	9362	
	P	38,27	36,83	33,86	30,45	27,41	24,30	21,19		18,14	15,22	12,49	10,02	
HAX6/1240-4	30	Q								38742	30407	23329	17378	12423
		P								17,00	14,83	12,74	10,72	8,75
	40	Q									25193	19081	13958	9695
	P									15,43	13,01	10,69	8,48	
	50	Q									15126	10835	7265	
	P										13,08	10,49	8,05	
HGX6/1410-4 ¹⁾ HGX6/1410-4 S ¹⁾	30	Q			112574	94071	76961	63138	51088	40671	31748	24176	17817	12528
		P			28,95	27,60	26,50	24,11	21,69	19,26	16,84	14,43	12,06	9,73
	40	Q			96228	80122	65316	53413	43056	34104	26417	19854	14276	9540
	P			33,76	31,54	30,24	26,98	23,78	20,67	17,65	14,74	11,96	9,32	
	50	Q			79925	66235	53148	43254	34677	27278	20915	15450	10739	
	P				37,91	34,88	33,29	29,21	25,29	21,54	17,98	14,63	11,49	
HAX6/1410-4	30	Q									33768	25918	19311	13807
		P									16,48	14,13	11,86	9,68
	40	Q										21163	15482	10756
	P										14,43	11,83	9,36	
	50	Q										16757	12003	8054
	P											14,53	11,62	8,90
HGX7/1620-4 ¹⁾ HGX7/1620-4 S ¹⁾	30	Q	163130	150297	126636	106031	87518	71107	56728	44306	33770	25047	18065	12751
		P	32,39	32,05	30,98	30,00	28,31	26,22	23,83	21,24	18,56	15,88	13,30	10,93
	40	Q	139724	128531	107945	89756	73736	59585	47232	36603	27628	20232	14343	9890
	P	38,16	37,38	35,48	34,27	31,69	28,79	25,68	22,46	19,22	16,08	13,12	10,45	
	50	Q	115792	106272	88826	73671	60144	48254	37928	29093	21678	15609	10816	
	P	43,47	42,23	39,46	37,57	34,13	30,47	26,68	22,85	19,10	15,52	12,22		
HGX7/1860-4 ¹⁾ HGX7/1860-4 S ¹⁾	30	Q	184191	169853	143432	119116	98208	79858	63906	50195	38563	28854	20907	14563
		P	37,41	37,14	36,15	35,68	32,91	30,00	27,00	23,95	20,89	17,88	14,95	12,15
	40	Q	157436	144933	121960	100333	82508	66907	53368	41734	31846	23543	16668	11061
	P	45,37	44,40	42,11	39,79	36,14	32,43	28,71	25,02	21,40	17,91	14,59	11,48	
	50	Q	130989	120333	100832	82100	67304	54394	43213	33601	25399	18448	12589	
	P	51,97	50,38	46,93	43,28	38,81	34,37	29,99	25,73	21,63	17,73	14,08		
HGX7/2110-4 ¹⁾ HGX7/2110-4 S ¹⁾	30	Q	201969	186202	157288	130628	108549	89073	72027	57236	44527	33724	24655	17144
		P	46,49	45,47	43,22	40,64	37,84	34,82	31,63	28,33	24,95	21,53	18,14	14,81
	40	Q	173523	159904	134971	112651	93282	76227	61312	48362	37205	27665	19568	12741
	P	54,03	52,52	49,31	45,59	41,96	38,14	34,18	30,13	26,03	21,92	17,87	13,90	
	50	Q	144329	132872	111953	93475	77007	62564	49972	39055	29641	21555	14623	
	P	60,77	58,78	54,63	49,93	45,43	40,76	35,99	31,14	26,28	21,44	16,68		
HGX7/2470-4 ¹⁾ HGX7/2470-4 S ¹⁾	30	Q	254335	233623	195759	157695	130257	106132	85092	66910	51360	38215	27249	18235
		P	53,08	52,10	49,73	47,03	43,16	39,21	35,21	31,15	27,05	22,90	18,73	14,53
	40	Q	216832	198811	165981	135212	111218	90157	71803	55931	42312	30721	20931	12715
	P	62,30	60,54	56,70	52,81	47,88	42,92	37,94	32,95	27,94	22,94	17,95	12,98	
	50	Q	179905	164564	136749	111576	91145	73270	57724	44281	32715	22799	14305	
	P	70,32	67,83	62,61	57,36	51,37	45,38	39,41	33,47	27,56	21,69	15,87		
HGX8/2830-4 ¹⁾ HGX8/2830-4 S ¹⁾	30	Q	280334	258363	218657	182105	149962	121929	97702	76982	59466	44852	32841	23130
		P	58,49	57,89	57,29	54,05	50,41	46,43	42,19	37,75	33,17	28,54	23,91	19,37
	40	Q	240502	221237	187179	155251	127305	103039	82152	64342	49308	36749	26363	17849
	P	70,92	69,19	66,01	61,11	55,95	50,60	45,12	39,59	34,06	28,62	23,33	18,26	
	50	Q	200747	184227	155772	128523	104826	84382	66888	52043	39545	29094	20387	
	P	81,06	78,33	73,50	67,07	60,51	53,90	47,31	40,80	34,45	28,32	22,48		
HGX8/3220-4 ¹⁾ HGX8/3220-4 S ¹⁾	30	Q	299972	277577	236052	199764	165297	135207	109154	86797	67796	51812	38503	27530
		P	66,91	66,12	63,90	63,87	59,10	54,07	48,87	43,59	38,29	33,07	28,00	23,17
	40	Q	260037	240407	204062	170917	141015	114985	92486	73180	56724	42781	31008	21066
	P	81,79	79,73	75,15	71,84	65,49	59,02	52,53	46,09	39,78	33,68	27,88	22,45	
	50	Q	217197	200466	169563	141839	116555	94639	75750	59548	45693	33845	23663	
	P	93,49	90,33	83,69	78,71	70,87	63,06	55,36	47,84	40,60	33,72	27,26		

Relating to 20 °C suction gas temp. without liquid subcooling

¹⁾ Compressors (R404A) are ASERCOM certified

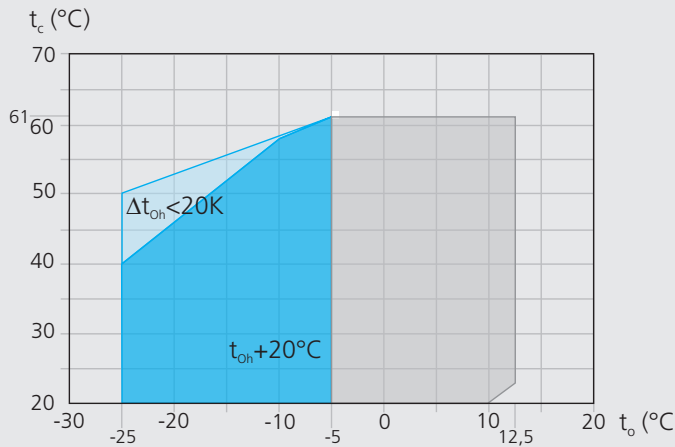


Motor version -S- (more powerful motor)

Supplementary cooling or reduced suction gas temp.

R407C Operating limits

HGX12P / HGX22e / HGX34e
HGX4 / HGX5 / HGX6 / HGX7 / HGX8^①



- Unlimited application range
- Supplementary cooling or reduced suction gas temperature
- Motor version -S- (more powerful motor)

- t_o Evaporating temperature (°C)
- t_c Condensing temperature (°C)
- Δt_{oh} Suction gas superheat (K)
- t_{oh} Suction gas temperature (°C)

① HGX8/2470-4 - HGX8/2830-4 - HGX8/3220-4
Max. evaporating temperature $t_o = 0\text{ °C}$

Max. permissible operating pressure (LP/HP)¹⁾: 19/28 bar

¹⁾ LP = low pressure HP = high pressure

- 1
- 2
- 3
- 4

R407C Notes

Operating limits

Compressor operation is possible within the limits shown on the application diagrams. Please note the coloured areas. Compressor application limits should not be chosen for design purposes or continuous operation.

Restrictions to the operating limits may occur when using the Bock EFC (Electronic Frequency Control). Further explanation see separate brochure "Bock semi-hermetic compressors - Electronic Controls".

Performance data

The performance data for R407C are based on ISO-DIS 9309 (DIN 8928) with a **50 Hz power supply frequency**.

This signifies: **25 °C suction gas temperature without liquid subcooling**. EN 12900 is already valid for Pluscom compressors, HGX4 and HGX8/2470-4 **operating at 50 Hz. 20 °C suction gas temperature without liquid subcooling**.

Evaporation and condensing temperatures are based on the dew point values (saturated vapour conditions).

A comprehensive modification to 20 °C suction gas temperature will follow at a later date.

This results in significant differences compared to specifications with liquid undercooling and/or suction-gas temperatures.

Conversion factor for 60 Hz = 1,2

Performance data for other operating points, see GEA Bock software.

R407C		Performance data										50 Hz
Type	Cond. temp. °C	Q P	Cooling capacity \dot{Q}_0 [W]								Power consumption P_e [kW]	
			Evaporating temperature °C									
			12,5	10	7,5	5	0	-5	-10	-15	-20	-25
HGX12P/60-4 S	30	Q	6778	6172	5606	5079	4136	3330	2648	2078	1608	1225
		P	0,88	0,90	0,92	0,92	0,91	0,88	0,82	0,76	0,69	0,62
	40	Q	5863	5332	4837	4377	3556	2856	2265	1770	1359	1018
P		1,16	1,16	1,15	1,14	1,08	1,01	0,92	0,83	0,74	0,66	
50	Q	5001	4542	4115	3720	3016	2417	1911	1486	1129	826	
	P	1,42	1,39	1,36	1,32	1,23	1,12	1,01	0,90	0,79	0,69	
HGX12P/75-4 HGX12P/75-4 S	30	Q	8736	7954	7225	6546	5330	4291	3413	2679	2072	1578
		P	1,13	1,16	1,18	1,19	1,18	1,13	1,06	0,98	0,89	0,79
	40	Q	7557	6872	6234	5641	4583	3681	2919	2281	1751	1312
P		1,50	1,50	1,49	1,46	1,39	1,30	1,19	1,07	0,96	0,84	
50	Q	6446	5854	5304	4794	3887	3115	2463	1915	1455	1065	
	P	1,83	1,79	1,75	1,70	1,58	1,44	1,30	1,15	1,01	0,89	
HGX12P/90-4 HGX12P/90-4 S	30	Q	10419	9487	8617	7807	6357	5118	4071	3195	2472	1882
		P	1,35	1,38	1,41	1,42	1,40	1,35	1,27	1,17	1,06	0,95
	40	Q	9013	8196	7435	6728	5466	4390	3482	2721	2088	1565
P		1,79	1,79	1,77	1,75	1,66	1,55	1,42	1,28	1,14	1,01	
50	Q	7688	6982	6326	5718	4636	3715	2938	2284	1735	1270	
	P	2,18	2,14	2,09	2,03	1,89	1,72	1,55	1,38	1,21	1,06	
HGX12P/110-4 HGX12P/110-4 S	30	Q	12250	11154	10131	9179	7474	6017	4786	3756	2906	2213
		P	1,58	1,63	1,65	1,67	1,65	1,59	1,49	1,37	1,24	1,11
	40	Q	10596	9635	8741	7910	6426	5161	4093	3199	2455	1840
P		2,11	2,10	2,08	2,05	1,96	1,83	1,67	1,51	1,34	1,18	
50	Q	9038	8208	7437	6723	5450	4368	3454	2686	2040	1493	
	P	2,56	2,51	2,45	2,38	2,22	2,03	1,82	1,62	1,42	1,25	
HGX22e/125-4 HGX22e/125-4 S	30	Q	14400	13100	11900	10800	8790	7070	5630	4420	3420	2600
		P	1,78	1,82	1,85	1,87	1,85	1,78	1,67	1,53	1,39	1,25
	40	Q	12500	11400	10300	9300	7560	6060	4800	3760	2890	2160
P		2,36	2,35	2,33	2,30	2,19	2,04	1,87	1,68	1,5	1,32	
50	Q	10700	9640	8740	7910	6410	5120	4050	3150	2400	1760	
	P	2,87	2,81	2,75	2,67	2,48	2,27	2,04	1,81	1,59	1,40	
HGX22e/160-4 HGX22e/160-4 S	30	Q	17600	16000	14500	13200	10700	8730	6950	5470	4240	3230
		P	2,18	2,24	2,28	2,30	2,27	2,30	2,16	1,99	1,79	1,61
	40	Q	15200	13800	12500	11300	9180	7500	5950	4650	3580	2680
P		2,90	2,90	2,87	2,83	2,69	2,64	2,42	2,18	1,94	1,72	
50	Q	12900	11700	10700	9590	7780	6350	5020	3900	2970	2180	
	P	3,53	3,46	3,38	3,28	3,05	2,93	2,64	2,34	2,06	1,81	
HGX22e/190-4 HGX22e/190-4 S	30	Q	21800	19900	18100	16400	13300	10800	8550	6700	5180	3960
		P	2,67	2,74	2,79	2,81	2,78	2,83	2,65	2,44	2,20	1,98
	40	Q	18900	17200	15600	14100	11500	9220	7310	5710	4390	3290
P		3,54	3,54	3,51	3,46	3,29	3,25	2,97	2,68	2,38	2,10	
50	Q	16100	14600	13300	12000	9700	7790	6170	4810	3650	2670	
	P	4,31	4,23	4,13	4,01	3,73	3,60	3,24	2,87	2,53	2,22	
HGX34e/215-4 HGX34e/215-4 S	30	Q	25600	23300	21100	19100	15600	12200	9720	7650	5910	4480
		P	3,45	3,49	3,50	3,48	3,39	3,16	2,94	2,67	2,38	2,09
	40	Q	22400	20300	18400	16600	13400	10400	8190	6410	4920	3700
P		4,38	4,33	4,26	4,17	3,94	3,60	3,25	2,89	2,52	2,17	
50	Q	19100	17300	15600	14100	11300	8590	6820	5330	4100	3100	
	P	5,19	5,06	4,91	4,75	4,39	3,98	3,54	3,09	2,66	2,27	
HGX34e/255-4 HGX34e/255-4 S	30	Q	29600	27000	24600	22300	18300	14500	11500	9040	7030	5300
		P	4,30	4,30	4,28	4,23	4,08	3,84	3,54	3,20	2,85	2,48
	40	Q	26000	23600	21500	19500	15800	12300	9730	7660	5940	4430
P		5,33	5,24	5,13	5,00	4,71	4,38	3,94	3,50	3,06	2,63	
50	Q	22200	20200	18300	16500	13400	10200	8080	6420	5050	3820	
	P	6,25	6,08	5,89	5,69	5,25	4,83	4,29	3,76	3,26	2,79	
HGX34e/315-4 HGX34e/315-4 S	30	Q	35900	32700	29800	27000	22100	17600	14100	11100	8590	6550
		P	4,95	5,00	5,01	4,99	4,86	4,69	4,34	3,96	3,55	3,11
	40	Q	31300	28500	25900	23500	19200	15100	12000	9420	7260	5500
P		6,32	6,25	6,16	6,04	5,72	5,33	4,85	4,33	3,80	3,27	
50	Q	26800	24300	22100	20000	16200	12800	10200	7910	6060	4550	
	P	7,63	7,45	7,24	7,02	6,50	5,87	5,25	4,63	3,99	3,37	
HGX34e/380-4 HGX34e/380-4 S	30	Q	43500	39600	36000	32700	26700	21600	17500	13900	10900	8310
		P	6,40	6,35	6,27	6,17	5,93	5,84	5,38	4,91	4,42	3,90
	40	Q	38000	34600	31400	28400	23200	18700	15100	12000	9320	7140
P		7,95	7,78	7,59	7,39	6,94	6,71	6,08	5,45	4,82	4,18	
50	Q	32200	29300	26500	24000	19600	15800	12800	10100	7900	6070	
	P	9,52	9,23	8,92	8,60	7,93	7,49	6,69	5,91	5,13	4,36	

Relating to 20 °C suction gas temperature, without liquid subcooling

Motor version -S- (more powerful motor)

Supplementary cooling or reduced suction gas temp.

R407C		Performance data										50 Hz
Type	Cond. temp. °C		Cooling capacity \dot{Q}_0 [W]								Power consumption P_e [kW]	
			Evaporating temperature °C									
			12,5	10	7,5	5	0	-5	-10	-15	-20	-25
HGX4/465-4	30	Q	52241	47689	43438	39475	32358	27293	21900	17313	13459	10267
		P	7,84	7,76	7,67	7,56	7,31	7,08	6,58	6,02	5,42	4,78
HGX4/465-4 S	40	Q	45881	41827	38049	34532	28226	23704	18952	14925	11550	8752
		P	9,73	9,55	9,36	9,16	8,69	8,14	7,40	6,63	5,84	5,03
	50	Q	39635	36073	32759	29681	24173	20139	16049	12600	9721	7338
		P	11,44	11,16	10,86	10,55	9,85	9,12	8,14	7,16	6,17	5,19
HGX4/555-4	30	Q	62010	56703	51739	47101	38751	31207	25091	19907	15531	11833
		P	9,36	9,30	9,22	9,12	8,84	8,53	7,92	7,29	6,62	5,87
HGX4/555-4 S	40	Q	54852	50089	45636	41481	34003	27316	21859	17204	13225	9795
		P	11,45	11,27	11,07	10,84	10,31	9,88	9,02	8,13	7,19	6,18
	50	Q	47717	43491	39547	35869	29256	23377	18539	14373	10752	7550
		P	13,51	13,20	12,86	12,49	11,67	11,13	9,97	8,78	7,52	6,17
HGX4/650-4	30	Q	73505	67118	61158	55607	45658	36887	29718	23650	18538	14235
		P	11,85	11,66	11,45	11,22	10,68	10,03	9,28	8,56	7,80	6,95
HGX4/650-4 S	40	Q	64535	58930	53705	48840	40118	32465	26041	20581	15939	11970
		P	14,25	13,95	13,62	13,26	12,48	11,59	10,60	9,60	8,54	7,35
	50	Q	55792	50933	46405	42188	34616	27833	22140	17274	13090	9442
		P	16,75	16,31	15,84	15,34	14,26	13,13	11,79	10,42	8,96	7,34
HGX5/725-4	30	Q	82066	75111	68581	62458	51370	41718	33371	26199	20072	14859
		P	12,72	12,43	12,13	11,81	11,13	10,38	9,57	8,68	7,72	6,69
HGX5/725-4 S	40	Q	73653	67297	61341	55769	45715	37005	29506	23091	17627	12986
		P	15,09	14,67	14,23	13,79	12,86	11,88	10,85	9,75	8,60	7,39
	50	Q	64721	58974	53605	48597	39600	31854	25228	19592	14817	10770
		P	17,35	16,80	16,24	15,67	14,50	13,30	12,06	10,77	9,44	8,06
HGX5/830-4	30	Q	94208	86225	78728	71699	58971	47891	38309	30076	23042	17057
		P	14,60	14,27	13,92	13,56	12,78	11,92	10,99	9,97	8,87	7,68
HGX5/830-4 S	40	Q	84551	77254	70417	64021	52480	42480	33872	26507	20235	14907
		P	17,32	16,84	16,34	15,83	14,76	13,64	12,45	11,20	9,88	8,48
	50	Q	74298	67700	61536	55787	45459	36567	28961	22491	17009	12364
		P	19,92	19,28	18,64	17,99	16,65	15,27	13,84	12,37	10,84	9,25
HGX5/945-4	30	Q	107188	98104	89575	81578	67096	54489	43587	34219	26216	19407
		P	16,61	16,23	15,84	15,43	14,54	13,56	12,50	11,34	10,09	8,74
HGX5/945-4 S	40	Q	96200	87898	80118	72842	59710	48332	38539	30159	23023	16961
		P	19,71	19,16	18,59	18,01	16,80	15,52	14,17	12,74	11,24	9,65
	50	Q	84534	77027	70014	63473	51722	41605	32951	25590	19352	14068
		P	22,66	21,94	21,21	20,46	18,94	17,37	15,75	14,07	12,33	10,53
HGX6/1080-4	30	Q	122447	112071	102327	93191	76648	62246	49792	39091	29948	22170
		P	18,97	18,55	18,10	17,62	16,61	15,49	14,28	12,96	11,53	9,98
HGX6/1080-4 S	40	Q	109895	100411	91524	83211	68210	55213	44025	34453	26301	19376
		P	22,51	21,88	21,24	20,57	19,19	17,72	16,18	14,55	12,84	11,02
	50	Q	96568	87993	79981	72509	59085	47528	37642	29233	22107	16070
		P	25,89	25,06	24,23	23,38	21,64	19,85	17,99	16,08	14,09	12,03
HGX6/1240-4	30	Q	140564	128652	117467	106980	87989	71456	57159	44875	34379	25450
		P	21,78	20,23	20,77	20,23	19,06	17,79	16,39	14,88	13,23	11,46
HGX6/1240-4 S	40	Q	25450	115267	105066	95523	78303	63382	50539	39550	30193	22243
		P	11,46	25,12	24,38	23,61	22,02	20,35	18,58	16,71	14,74	12,65
	50	Q	110857	101013	91815	83238	67828	54560	43211	33558	2538	18448
		P	29,72	28,77	27,81	26,84	24,84	22,78	20,66	18,45	16,17	13,81
HGX6/1410-4	30	Q	159931	146378	133651	121719	100112	81301	65035	51058	39116	28957
		P	24,78	24,22	23,64	23,02	21,69	20,24	18,65	16,92	15,05	13,03
HGX6/1410-4 S	40	Q	143537	131149	119452	108684	89091	72115	57503	45000	34352	25307
		P	29,40	28,58	27,74	26,87	25,06	23,15	21,14	19,01	16,77	14,4
	50	Q	126130	114930	104466	94706	77173	62077	49165	38182	28875	20990
		P	33,81	32,73	31,64	30,53	28,26	25,92	23,50	21,00	18,40	15,71
HGX7/1620-4	30	Q	176654	161203	146809	133424	109484	88991	71553	56778	44276	33654
		P	28,74	28,45	28,06	27,56	26,30	24,73	22,92	20,92	18,79	16,61
HGX7/1620-4 S	40	Q	156630	142783	129901	117934	96552	78246	62623	49292	37862	27940
		P	35,77	34,91	33,96	32,93	30,69	28,23	25,62	22,93	20,21	17,53
	50	Q	136448	124231	112886	102364	83592	67524	53768	41933	31626	22457
		P	42,12	40,70	39,22	37,69	34,51	31,21	27,86	24,53	21,26	18,13
HGX7/1860-4	30	Q	202792	185054	168531	153166	125683	102158	82139	65179	50827	38633
		P	32,99	32,66	32,21	31,64	30,19	28,39	26,31	24,01	21,57	19,07
HGX7/1860-4 S	40	Q	179805	163909	149121	135384	110838	89823	71888	56585	43464	32074
		P	41,07	40,07	38,98	37,81	35,23	32,40	29,41	26,32	23,20	20,13
	50	Q	156636	142612	129589	117510	95960	77515	61724	48137	36305	25779
		P	48,35	46,72	45,03	43,27	39,61	35,83	31,99	28,15	24,41	20,82

Relating to 25 °C suction gas temperature (HGX4 to 20 °C suction gas temperature) without liquid subcooling

Motor version -S- (more powerful motor)

Supplementary cooling or reduced suction gas temp.

- 1
- 2
- 3
- 4

R407C		Performance data										50 Hz	
Type	Cond. temp. °C		Cooling capacity \dot{Q}_0 [W]						Power consumption P_e [kW]				
			Evaporating temperature °C										
			12,5	10	7,5	5	0	-5	-10	-15	-20	-25	
HGX7/2110-4 HGX7/2110-4 S	30	Q	230732	210551	191751	174268	143000	116233	93456	74159	57829	43956	
		P	37,54	37,16	36,65	36,00	34,35	32,30	29,93	27,32	24,55	21,70	
	40	Q	204578	186492	169666	154036	126109	102198	81793	64381	49452	36493	
		P	46,72	45,59	44,35	43,01	40,08	36,87	33,47	29,95	26,40	22,90	
	50	Q	178217	162261	147443	133700	109182	88195	70228	54769	41308	29331	
		P	55,02	53,16	51,23	49,23	45,07	40,77	36,39	32,03	27,77	23,68	
HGX8/2470-4 HGX8/2470-4 S	30	Q	281120	256346	233240	211728	175261	141490	112409	87616	66706	49275	
		P	43,67	43,36	42,85	42,16	39,54	37,85	35,09	31,54	27,51	23,29	
	40	Q	244845	223034	202726	183847	151167	121619	96256	74674	56469	41236	
		P	54,20	52,96	51,56	50,03	46,56	42,94	38,60	33,81	28,88	24,12	
	50	Q	210247	191369	173829	157552	128012	102759	81184	62885	47456	34493	
		P	63,42	61,32	59,12	56,81	51,78	46,66	41,16	35,56	30,17	25,27	
HGX8/2830-4 HGX8/2830-4 S	30	Q	322714	294275	267750	243056	198814	160865	128526	101113	77942	58329	
		P	50,13	49,77	49,19	48,40	46,25	43,45	40,11	36,36	32,32	28,11	
	40	Q	281072	256034	232721	211049	172284	139053	110674	86463	65736	47808	
		P	62,22	60,80	59,19	57,43	53,48	49,08	44,34	39,38	34,33	29,31	
	50	Q	241355	219683	199548	180864	147505	118923	94435	73356	55002	38691	
		P	72,80	70,39	67,86	65,22	59,66	53,84	47,87	41,89	36,02	30,37	
HGX8/3220-4 HGX8/3220-4 S	30	Q	367177	334819	304640	276543	226206	183029	146234	115044	88680	66365	
		P	57,03	56,63	55,97	55,07	52,62	49,43	45,64	41,37	36,77	31,99	
	40	Q	319797	291310	264785	240127	196021	158212	125923	98376	74793	54395	
		P	70,80	69,17	67,35	65,34	60,85	55,84	50,45	44,81	39,06	33,35	
	50	Q	274608	249951	227041	205783	167828	135308	107446	83462	62580	44022	
		P	82,83	80,09	77,21	74,20	67,88	61,25	54,47	47,67	40,98	34,55	

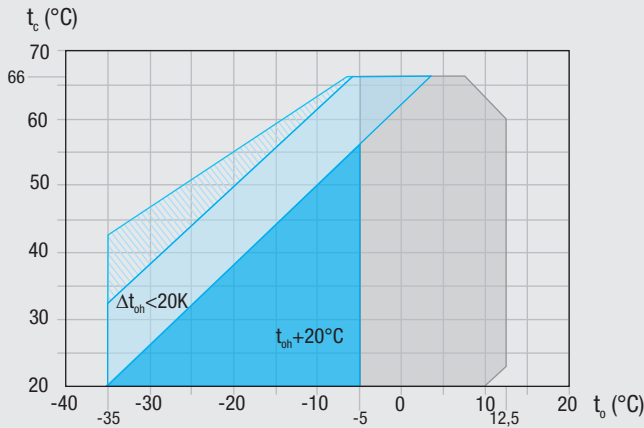
Relating to 25 °C suction gas temperature
(HGX8/2470-4 to 20 °C suction gas temperature)
without liquid subcooling

Motor version -S-
(more powerful motor)

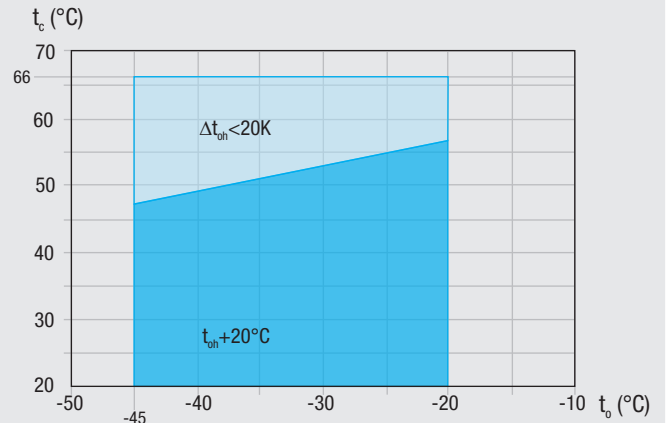
Supplementary cooling or
reduced suction gas temp.

R22 Operating limits

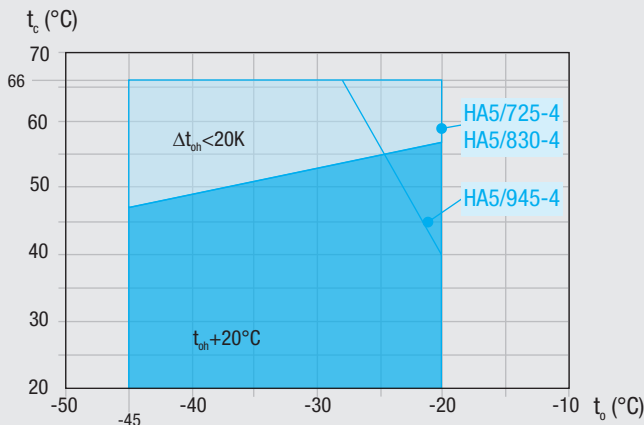
HG12P / HG22e / HG34e /
HG4 / HG5 / HG6^① / HG7 / HG8^②



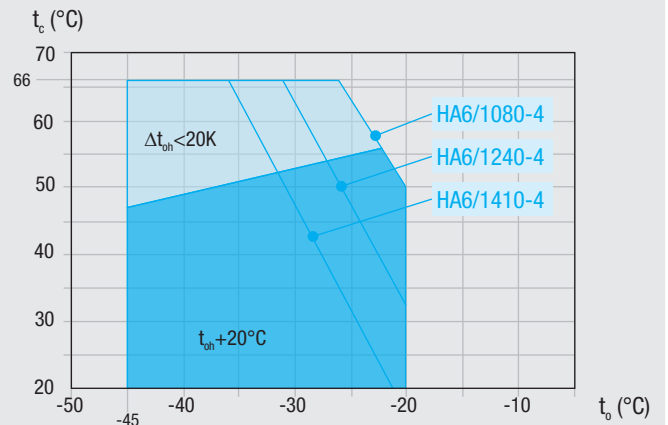
HA12P / HA22P / HA34P / HA4



HA5



HA6


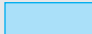

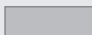


Max. permissible operating pressure (LP/HP)¹⁾: 19/28 bar

¹⁾ LP = low pressure HP = high pressure

① HG7 „Motor version -S-“
in the evaporation range of $t_o = 5\text{ °C}$ bis $12,5\text{ °C}$
limited condensing temperature up to $t_c = 50\text{ °C}$

② HG8/2830-4
max. evaporating temperature $t_o = 0\text{ °C}$
HG8/2470-4 S
in the evaporation range of $t_o = 7\text{ °C}$ bis $12,5\text{ °C}$
limited condensing temperature up to $t_c = 55\text{ °C}$
HG8/3220-4 S
max. evaporating temperature $t_o = 5\text{ °C}$

-  Unlimited application range
-  -HG Supplementary cooling or red. suction gas temp.
-HA reduced suction gas temperature
-  Supplementary cooling and reduced suction gas temperature
-  Motor version -S-
(more powerful motor)

- t_o Evaporating temperature (°C)
- t_c Condensing temperature (°C)
- Δt_{oh} Suction gas superheat (K)
- t_{oh} Suction gas temperature (°C)

R22 Notes

Operating limits

Compressor operation is possible within the limits shown on the application diagrams. Please note the coloured areas. Compressor application limits should not be chosen for design purposes or continuous operation.

Restrictions to the operating limits may occur when using the Bock EFC (Electronic Frequency Control). Further explanation see separate brochure "Bock semi-hermetic compressors - Electronic Controls".

Performance data

The performance data for R22 are based on ISO-DIS 9309 (DIN 8928) with a **50 Hz power supply frequency**.

This signifies: **25 °C suction gas temperature without liquid sub-cooling**. EN 12900 is already valid for Pluscom compressors and HG8/2470-4 **operating at 50 Hz**. This signifies **20 °C suction gas temperature without liquid subcooling**.

This results in significant differences compared to specifications with liquid undercooling and/or suction-gas temperatures.

A comprehensive modification to 20 °C suction gas temperature will follow at a later date.

Conversion factor for 60 Hz = 1,2

Performance data for other operating points, see GEA Bock software.


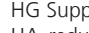
R22		Performance data												50 Hz		
Type	Cond. temp. °C	Q	Cooling capacity \dot{Q}_o [W]										Power consumption P_e [kW]			
			Evaporating temperature °C													
			12,5	10	7,5	5	0	-5	-10	-15	-20	-25	-30	-35	-45	
HG12P/60-4 S	30	Q	7110	6523	5971	5454	4518	3703	2997	2390	1868	1422	1039	708		
		P	0,89	0,91	0,93	0,94	0,94	0,92	0,89	0,84	0,78	0,71	0,63	0,55		
	40	Q	6288	5759	5263	4799	3958	3227	2593	2044	1570	1158	798	477		
		P	1,20	1,19	1,19	1,18	1,14	1,08	1,01	0,94	0,85	0,76	0,66	0,57		
	50	Q	5494	5023	4581	4168	3422	2772	2207	1716	1287	909				
		P	1,47	1,44	1,42	1,38	1,31	1,22	1,12	1,02	0,91	0,80				
HA12P/60-4	30	Q									1824	1407	1054	758	512	
		P									0,72	0,63	0,53	0,43	0,33	
	40	Q									1599	1237	930	672	456	
		P									0,79	0,68	0,57	0,46	0,35	
	50	Q									1437	1127	865	643	455	
		P									0,84	0,73	0,62	0,51	0,40	
HG12P/75-4 HG12P/75-4 S	30	Q	8883	8149	7460	6814	5645	4626	3745	2985	2334	1776	1298	884		
		P	1,11	1,14	1,16	1,17	1,17	1,15	1,11	1,05	0,97	0,88	0,79	0,69		
	40	Q	7856	7195	6575	5995	4945	4031	3239	2554	1961	1447	997	596		
		P	1,49	1,49	1,48	1,47	1,42	1,35	1,27	1,17	1,06	0,95	0,83	0,71		
	50	Q	6864	6275	5723	5207	4275	3463	2758	2144	1608	1135				
		P	1,83	1,80	1,77	1,73	1,63	1,52	1,40	1,27	1,13	0,99				
HA12P/75-4	30	Q									2265	1748	1310	942	637	
		P									0,90	0,78	0,66	0,53	0,41	
	40	Q									1986	1536	1156	836	568	
		P									0,99	0,85	0,72	0,58	0,44	
	50	Q									1785	1400	1075	800	567	
		P									1,05	0,91	0,78	0,64	0,51	
HG12P/90-4 HG12P/90-4 S	30	Q	10595	9719	8897	8127	6732	5518	4466	3561	2784	2119	1548	1054		
		P	1,32	1,36	1,38	1,40	1,40	1,37	1,32	1,25	1,16	1,05	0,94	0,83		
	40	Q	9370	8582	7842	7150	5898	4808	3863	3046	2339	1726	1189	711		
		P	1,78	1,78	1,77	1,75	1,69	1,61	1,51	1,39	1,27	1,13	0,99	0,85		
	50	Q	8186	7484	6826	6211	5098	4130	3289	2557	1918	1354				
		P	2,19	2,15	2,11	2,06	1,95	1,82	1,67	1,51	1,35	1,19				
HA12P/90-4	30	Q									2702	2084	1562	1123	758	
		P									1,06	0,92	0,77	0,62	0,47	
	40	Q									2369	1832	1378	996	676	
		P									1,16	1,00	0,84	0,67	0,51	
	50	Q									2129	1669	1281	953	674	
		P									1,22	1,06	0,90	0,74	0,58	
HG12P/110-4 HG12P/110-4 S	30	Q	12456	11427	10460	9555	7915	6487	5251	4186	3273	2491	1820	1240		
		P	1,56	1,60	1,62	1,64	1,65	1,61	1,55	1,47	1,36	1,24	1,11	0,97		
	40	Q	11016	10089	9220	8406	6934	5653	4542	3581	2750	2029	1398	836		
		P	2,10	2,09	2,08	2,06	1,99	1,90	1,78	1,64	1,49	1,33	1,16	1,00		
	50	Q	9625	8799	8025	7302	5994	4856	3867	3007	2255	1592				
		P	2,57	2,53	2,48	2,42	2,29	2,14	1,96	1,78	1,59	1,39				
HA12P/110-4	30	Q									3175	2449	1835	1320	891	
		P									1,25	1,09	0,92	0,74	0,57	
	40	Q									2783	2153	1619	1170	794	
		P									1,38	1,19	1,00	0,81	0,62	
	50	Q									2501	1961	1505	1119	792	
		P									1,46	1,27	1,08	0,89	0,70	
HG22e/125-4 HG22e/125-4 S	30	Q	15700	14400	13200	12000	9930	8150	6630	5340	4250	3340	2580	1960		
		P	1,94	1,97	1,99	2,00	1,98	1,91	1,82	1,69	1,55	1,40	1,25	1,09		
	40	Q	13800	12700	11600	10600	8740	7170	5840	4700	3730	2900	2200	1600		
		P	2,54	2,53	2,50	2,47	2,37	2,24	2,08	1,90	1,72	1,52	1,33	1,15		
	50	Q	12000	11000	10000	9120	7540	6170	5010	4010	3150	2400				
		P	3,11	3,06	2,99	2,91	2,73	2,53	2,31	2,07	1,83	1,59				
HA22P/125-4	30	Q									3866	2983	2235	1607	1085	
		P									1,53	1,33	1,12	0,91	0,69	
	40	Q									3390	2621	1972	1425	967	
		P									1,68	1,45	1,22	0,98	0,75	
	50	Q									3046	2389	1833	1363	965	
		P									1,78	1,55	1,32	1,09	0,86	
HG22e/160-4 HG22e/160-4 S	30	Q	19400	17800	16300	14900	12300	10100	8190	6590	5240	4120	3190	2420		
		P	2,40	2,44	2,46	2,47	2,44	2,36	2,24	2,09	1,92	1,73	1,54	1,35		
	40	Q	17100	15600	14300	13100	10800	8860	7200	5790	4590	3580	2720	1980		
		P	3,13	3,12	3,09	3,05	2,93	2,77	2,57	2,35	2,11	1,88	1,64	1,42		
	50	Q	14800	13500	12400	11300	9300	7620	6180	4940	3880	2960				
		P	3,84	3,77	3,69	3,60	3,38	3,13	2,85	2,55	2,26	1,96				

- 1
- 2
- 3
- 4


HG Supplementary cooling or red. suction gas temp.
 HA reduced suction gas temp.
 Motor version -S- (more powerful motor)
 Supplementary cooling and red. suction gas temp.

Relating to 20 °C suction gas temperature, without liquid subcooling

R22		Performance data													50 Hz							
Type	Cond. temp. °C	Cooling capacity \dot{Q}_o [W]											Power consumption P_e [kW]									
		Evaporating temperature °C																				
		12,5	10	7,5	5	0	-5	-10	-15	-20	-25	-30	-35	-45								
HA22P/160-4	30	Q																4773	3682	2759	1984	1340
		P																1,89	1,64	1,38	1,12	0,86
	40	Q																4185	3236	2434	1760	1194
		P															2,07	1,79	1,50	1,21	0,93	
	50	Q																3761	2949	2262	1683	1191
		P																2,20	1,91	1,63	1,34	1,06
HG22e/190-4	30	Q	23400	21400	19600	17900	14800	12200	9850	7920	6300	4950	3840	2910								
		P	2,90	2,94	2,97	2,98	2,94	2,84	2,70	2,52	2,31	2,09	1,86	1,63								
	40	Q	20600	18900	17200	15700	13000	10700	8680	6980	5540	4320	3280	2380								
HG22e/190-4 S		P	3,78	3,76	3,72	3,67	3,52	3,32	3,09	2,83	2,55	2,27	1,99	1,72								
	50	Q	17800	16300	14900	13600	11200	9200	7450	5960	4670	3560										
		P	4,63	4,54	4,44	4,33	4,06	3,76	3,43	3,08	2,72	2,37										
HA22P/190-4	30	Q																5775	4456	3338	2401	1621
		P																2,28	1,98	1,67	1,35	1,04
	40	Q																5064	3916	2945	2129	1445
		P															2,51	2,17	1,82	1,47	1,12	
	50	Q																4550	3568	2738	2036	1441
		P																2,66	2,31	1,97	1,62	1,28
HG34e/215-4	30	Q	26500	24300	22200	20300	16800	13900	11300	9010	7160	5620	4360	3310								
		P	3,30	3,35	3,38	3,39	3,35	3,25	3,08	2,88	2,64	2,38	2,12	1,86								
	40	Q	23300	21400	19600	17900	14800	12200	9870	7930	6290	4910	3730	2710								
HG34e/215-4 S		P	4,31	4,29	4,25	4,19	4,02	3,80	3,53	3,23	2,91	2,58	2,26	1,96								
	50	Q	20200	18500	17000	15500	12800	10500	8480	6780	5330	4060										
		P	5,29	5,19	5,07	4,94	4,64	4,29	3,91	3,51	3,11	2,71										
HA34P/215-4	30	Q																6576	5074	3801	2734	1846
		P																2,60	2,25	1,90	1,54	1,18
	40	Q																5766	4459	3354	2425	1646
		P																2,86	2,47	2,07	1,67	1,28
	50	Q																5181	4063	3117	2318	1641
		P																3,02	2,63	2,24	1,85	1,46
HG34e/255-4	30	Q	31200	28600	26200	23900	19800	16300	13200	10600	8440	6630	5130	3890								
		P	3,87	3,94	3,98	3,99	3,94	3,82	3,62	3,37	3,10	2,80	2,49	2,19								
	40	Q	27400	25100	23000	21000	17400	14300	11600	9330	7410	5780	4390	3200								
HG34e/255-4 S		P	5,06	5,04	4,99	4,92	4,72	4,46	4,14	3,79	3,42	3,03	2,66	2,29								
	50	Q	23700	21800	19900	18200	15000	12300	9970	7970	6260	4770										
		P	6,21	6,09	5,96	5,80	5,45	5,04	4,59	4,12	3,64	3,17										
HA34P/255-4	30	Q																7732	5965	4469	3214	2170
		P																3,06	2,65	2,23	1,81	1,39
	40	Q																6779	5243	3943	2851	1935
		P																3,36	2,90	2,44	1,97	1,50
	50	Q																6092	4777	3665	2726	1930
		P																3,56	3,10	2,63	2,17	1,71
HG34e/315-4	30	Q	38500	35300	32300	29500	24500	20100	16400	13200	10500	8200	6340	4800								
		P	4,79	4,87	4,92	4,93	4,87	4,71	4,49	4,19	3,83	3,45	3,07	2,70								
	40	Q	33900	31100	28500	26000	21600	17700	14400	11600	9160	7140	5420	3940								
HG34e/315-4 S		P	6,26	6,23	6,17	6,09	5,84	5,51	5,13	4,69	4,22	3,74	3,27	2,84								
	50	Q	29400	26900	24600	22500	18600	15200	12400	9850	7730	5890										
		P	7,67	7,53	7,37	7,18	6,74	6,23	5,69	5,10	4,50	3,91										
HA34P/315-4	30	Q																9546	7365	5518	3969	2679
		P																3,77	3,27	2,76	2,24	1,71
	40	Q																8369	6473	4868	3519	2389
		P																4,15	3,58	3,01	2,43	1,85
	50	Q																7521	5898	4525	3365	2382
		P																4,39	3,82	3,25	2,68	2,12
HG34e/380-4	30	Q	46700	42800	39100	35700	29600	24300	19800	16000	12700	9950	7690	5830								
		P	5,82	5,92	5,97	5,99	5,91	5,72	5,43	5,06	4,64	4,19	3,73	3,29								
	40	Q	41000	37600	34400	31400	26100	21400	17400	14000	11200	8650	6560	4780								
HG34e/380-4 S		P	7,60	7,56	7,49	7,39	7,08	6,68	6,21	5,68	5,12	4,54	3,98	3,45								
	50	Q	35500	32500	29800	27200	22500	18500	15000	12000	9360	7120										
		P	9,31	9,14	8,93	8,70	8,16	7,56	6,89	6,18	5,46	4,75										
HA34P/380-4	30	Q																11550	8911	6677	4802	3242
		P																4,57	3,96	3,34	2,71	2,07
	40	Q																10127	7832	5891	4259	2890
		P																5,02	4,33	3,64	2,94	2,24
	50	Q																9101	7136	5475	4072	2882
		P																5,31	4,62	3,93	3,24	2,56

 HG Supplementary cooling or red. suction gas temp.
 HA reduced suction gas temp.


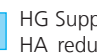
Relating to 20 °C suction gas temperature, without liquid subcooling

 Motor version -S- (more powerful motor)


 Supplementary cooling and red. suction gas temp.


R22		Performance data												50 Hz		
Type	Cond. temp. °C	Q	Cooling capacity \dot{Q}_o [W]										Power consumption P_e [kW]			
			Evaporating temperature °C													
			12,5	10	7,5	5	0	-5	-10	-15	-20	-25	-30	-35	-45	
HG4/465-4 HG4/465-4 S	30	Q	56368	52042	47946	44073	36965	30657	25090	20203	15935	12226	9016	6244		
		P	6,99	6,93	6,86	6,80	6,64	6,46	6,24	5,98	5,66	5,28	4,83	4,29		
	40	Q	51425	47427	43647	40077	33537	27748	22649	18178	14277	10884	7939	5382		
P		8,92	8,77	8,61	8,45	8,11	7,74	7,33	6,88	6,37	5,80	5,15	4,42			
HG4/465-4 S	30	Q	45657	42026	38601	35374	29481	24288	19734	15759	12303	9304				
		P	10,92	10,66	10,39	10,11	9,55	8,96	8,33	7,66	6,92	6,13				
	40	Q									16459	12893	9840	7251	5074	
P										5,74	5,32	4,83	4,26	3,58		
HG4/555-4 HG4/555-4 S	30	Q	67083	61934	57059	52450	43991	36485	29859	24043	18964	14550	10730	7431		
		P	8,32	8,25	8,17	8,09	7,90	7,69	7,43	7,11	6,74	6,28	5,74	5,11		
	40	Q	61200	56442	51943	47695	39912	33023	26954	21634	16991	12953	9449	6405		
P		10,62	10,43	10,25	10,05	9,65	9,21	8,72	8,18	7,58	6,90	6,13	5,27			
HA4/555-4	30	Q									19587	15343	11711	8630	6039	
		P									6,83	6,33	5,75	5,07	4,26	
	40	Q									17400	13525	10218	7419	5065	
P										7,83	7,12	6,30	5,36	4,29		
HG4/650-4 HG4/650-4 S	30	Q	78729	72686	66965	61556	51628	42819	35043	28217	22256	17076	12593	8721		
		P	9,77	9,68	9,59	9,49	9,28	9,02	8,72	8,35	7,90	7,37	6,74	6,00		
	40	Q	71825	66241	60961	55975	46842	38756	31633	25390	19941	15202	11089	7518		
P		12,46	12,25	12,03	11,80	11,32	10,81	10,24	9,60	8,89	8,09	7,19	6,18			
HA4/650-4	30	Q	63768	58698	53914	49406	41176	33923	27562	22011	17183	12995				
		P	15,25	14,88	14,51	14,13	13,34	12,52	11,64	10,69	9,67	8,56				
	40	Q									22988	18007	13744	10128	7087	
P										8,01	7,43	6,75	5,95	5,00		
HG5/725-4 HG5/725-4 S	30	Q	87633	80907	74539	68518	57467	47662	39007	31409	24774	19008	14017	9708		
		P	10,87	10,77	10,67	10,56	10,33	10,04	9,70	9,29	8,80	8,21	7,50	6,68		
	40	Q	79948	73733	67856	62306	52139	43139	35211	28261	22196	16921	12343	8368		
P		13,87	13,63	13,39	13,13	12,60	12,03	11,39	10,69	9,90	9,01	8,01	6,88			
HA5/725-4	30	Q	70981	65337	60012	54994	45833	37759	30680	24500	19126	14464				
		P	16,98	16,57	16,15	15,72	14,85	13,93	12,95	11,90	10,76	9,52				
	40	Q									25631	20086	15342	11316	7926	
P										8,94	8,29	7,52	6,62	5,56		
HG5/830-4 HG5/830-4 S	30	Q	100599	92878	85568	78656	65970	54713	44778	36056	28439	21820	16091	11144		
		P	12,48	12,37	12,25	12,13	11,85	11,53	11,14	10,67	10,10	9,42	8,61	7,66		
	40	Q	91777	84642	77896	71525	59854	49522	40421	32443	25480	19425	14169	9606		
P		15,93	15,65	15,37	15,08	14,47	13,81	13,08	12,27	11,36	10,34	9,19	7,90			
HA5/830-4	30	Q	81483	75004	68891	63131	52614	43346	35219	28125	21956	16605				
		P	19,49	19,02	18,54	18,05	17,05	15,99	14,87	13,66	12,36	10,93				
	40	Q									29343	22994	17562	12953	9072	
P										10,24	9,49	8,61	7,58	6,37		
HG5/945-4 HG5/945-4 S	30	Q	114460	105675	97357	89493	75059	62252	50947	41024	32358	24827	18308	12679		
		P	14,20	14,07	13,94	13,80	13,49	13,12	12,67	12,14	11,49	10,72	9,80	8,72		
	40	Q	104422	96304	88628	81379	68100	56345	45990	36912	28991	22101	16122	10929		
P		18,12	17,80	17,48	17,15	16,46	15,71	14,88	13,96	12,93	11,77	10,46	8,98			
HG5/945-4 S	30	Q	92709	85338	78383	71829	59863	49318	40072	32000	24981	18892				
		P	22,17	21,64	21,09	20,54	19,40	18,20	16,92	15,55	14,06	12,44				
	40	Q									26046	20248	15306	11124	7609	
P										11,73	10,66	9,43	8,03	6,42		
HG5/945-4 S	30	Q									22234	17080	12720	9059	6003	
		P									12,90	11,44	9,81	7,98	5,92	
	40	Q														
P																

1
2
3
4



 HG Supplementary cooling or red. suction gas temp.
 HA reduced suction gas temp.

Relating to 20 °C suction gas temperature, without liquid subcooling


 Motor version -S- (more powerful motor)

 Supplementary cooling and red. suction gas temp.

R22		Performance data													50 Hz		
Type	Cond. temp. °C	Q P	Cooling capacity \dot{Q}_o [W]										Power consumption P_e [kW]				
			Evaporating temperature °C														
			12,5	10	7,5	5	0	-5	-10	-15	-20	-25	-30	-35	-45		
HA5/945-4	30	Q											33374	26174	20007	14774	10374
		P											11,64	10,78	9,78	8,61	7,24
	40	Q											29594	22995	17376	12635	8674
		P										13,35	12,14	10,75	9,15	7,32	
	50	Q											19387	14394	10227	6786	
		P											13,04	11,20	9,12	6,77	
HG6/1080-4	30	Q	129363	119434	110034	101145	84833	70357	57581	46365	36571	28059	20692	14330			
		P	18,28	18,00	17,72	17,43	16,80	16,10	15,29	14,33	13,22	11,91	10,38	8,61			
	40	Q	118019	108844	100169	91976	76968	63681	51978	41719	32765	24979	18221	12352			
HG6/1080-4 S		P	22,56	22,15	21,72	21,28	20,33	19,27	18,07	16,71	15,16	13,38	11,36	9,06			
	50	Q	104781	96450	88589	81182	67658	55740	45289	36167	28234	21352					
		P	26,66	26,07	25,47	24,83	23,49	22,00	20,35	18,51	16,44	14,13					
HA6/1080-4	30	Q											37747	29595	22620	16702	11720
		P											12,65	11,26	9,89	8,49	7,05
	40	Q											33470	26012	19664	14306	9816
		P										14,58	12,95	11,30	9,62	7,86	
	50	Q											28580	21920	16301	11605	7710
		P											16,24	14,31	12,36	10,34	8,23
HG6/1240-4	30	Q	148504	137106	126315	116111	97384	80768	66101	53225	41982	32211	23754	16451			
		P	20,98	20,66	20,34	20,01	19,29	18,48	17,55	16,45	15,17	13,67	11,92	9,88			
	40	Q	135481	124948	114989	105584	88356	73103	59668	47891	37613	28675	20917	14180			
HG6/1240-4 S		P	25,90	25,43	24,94	24,43	23,34	22,12	20,75	19,18	17,40	15,36	13,04	10,40			
	50	Q	120284	110720	101696	93193	77669	63987	51990	41518	32411	24511					
		P	30,61	29,93	29,23	28,51	26,96	25,26	23,36	21,25	18,88	16,22					
HA6/1240-4	30	Q											43328	33978	25970	19174	13463
		P											14,52	12,92	11,35	9,75	8,10
	40	Q											38417	29848	22551	16399	11262
		P										16,74	14,87	12,98	11,05	9,03	
	50	Q											32848	25165	18685	13281	8824
		P											18,64	16,44	14,20	11,89	9,46
HG6/1410-4	30	Q	168964	155996	143718	132108	110802	91895	75208	60559	47766	36649	27026	18717			
		P	23,87	23,51	23,14	22,77	21,95	21,03	19,96	18,72	17,26	15,56	13,56	11,24			
	40	Q	154147	142163	130832	120131	100529	83176	67889	54490	42796	32626	23799	16134			
HG6/1410-4 S		P	29,47	28,93	28,37	27,80	26,55	25,17	23,61	21,83	19,80	17,48	14,84	11,83			
	50	Q	136857	125975	115708	106033	88370	72803	59153	47238	36877	27889					
		P	34,82	34,06	33,26	32,44	30,67	28,73	26,58	24,17	21,48	18,46					
HA6/1410-4	30	Q											38625	29529	21803	15324	
		P											14,69	12,90	11,08	9,20	
	40	Q												25605	18595	12767	
		P											14,77	12,57	10,28		
	50	Q													15015	9929	
		P													13,54	10,78	
HG7/1620-4	30	Q	178802	164852	151711	139349	116850	97132	79968	65133	52401	41547	32345	24570			
		P	23,29	24,07	24,65	25,03	25,25	24,85	23,94	22,64	21,04	19,26	17,42	15,60			
	40	Q	163682	150728	138537	127084	106272	88068	72246	58580	46844	36813	28261	20963			
HG7/1620-4 S		P	31,23	31,46	31,51	31,39	30,68	29,46	27,83	25,89	23,77	21,56	19,38	17,34			
	50	Q	148020	136086	124873	114354	95282	78644	64215	51770	41082	31926					
		P	38,75	38,45	37,98	37,37	35,77	33,74	31,41	28,87	26,24	23,62					
HG7/1860-4	30	Q	205257	189244	174158	159966	134139	111504	91800	74770	60154	47694	37131	28205			
		P	26,74	27,64	28,29	28,73	28,98	28,53	27,49	25,99	24,16	22,11	19,99	17,91			
	40	Q	187901	173029	159035	145887	121996	101099	82935	67247	53775	42259	32442	24065			
HG7/1860-4 S		P	35,85	36,12	36,17	36,03	35,22	33,82	31,94	29,72	27,28	24,75	22,25	19,90			
	50	Q	169921	156221	143350	131274	109380	90280	73717	59429	47160	36649					
		P	44,49	44,14	43,60	42,90	41,06	38,73	36,05	33,14	30,12	27,12					
HG7/2110-4	30	Q	233537	215317	198153	182006	152621	126866	104448	85072	68442	54266	42247	32091			
		P	30,42	31,44	32,19	32,69	32,98	32,46	31,27	29,57	27,48	25,16	22,75	20,38			
	40	Q	213789	196869	180947	165987	138805	115028	94362	76512	61184	48082	36912	27380			
HG7/2110-4 S		P	40,79	41,09	41,16	41,00	40,08	38,48	36,35	33,82	31,04	28,16	25,31	22,64			
	50	Q	193332	177745	163100	149360	124450	102719	83873	67618	53658	41699					
		P	50,62	50,22	49,61	48,81	46,72	44,07	41,02	37,70	34,27	30,85					

 HG Supplementary cooling or red. suction gas temp.
 HA reduced suction gas temp.


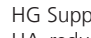
Relating to 25 °C suction gas temperature, without liquid subcooling

 Motor version -S- (more powerful motor)

 Supplementary cooling and red. suction gas temp.

R22		Performance data												50 Hz
Type	Cond. temp. °C	Cooling capacity \dot{Q}_0 [W]											Power consumption P_e [kW]	
		Evaporating temperature °C												
		12,5	10	7,5	5	0	-5	-10	-15	-20	-25	-30	-35	-45
HG8/2470-4 HG8/2470-4 S	30	Q	267888	247010	227287	208683	174692	149961	120514	95716	75087	58148	44418	33420
		P	43,56	44,15	44,42	44,40	43,54	39,66	37,55	34,65	31,16	27,25	23,10	18,90
	40	Q	243384	224002	205721	188504	157123	130966	105250	83688	65798	51101	39119	29370
		P	58,85	58,09	57,09	55,85	52,76	45,79	42,21	38,05	33,48	28,69	23,85	19,15
	50	Q	217933	200057	183226	167405	138654	113466	91260	72709	57336	44660		
		P	72,17	70,15	67,95	65,58	60,43	50,69	45,82	40,56	35,09	29,58		
HG8/2830-4 HG8/2830-4 S	30	Q	307524	283557	260916	239559	200540	166175	136141	110115	87775	68795	52854	39628
		P	50,00	50,68	51,00	50,97	49,99	47,94	45,03	41,45	37,41	33,11	28,75	24,54
	40	Q	279395	257146	236159	216394	180371	148752	121215	97435	77090	59855	45409	33426
		P	67,55	66,69	65,53	64,11	60,56	56,25	51,37	46,13	40,73	35,37	30,24	25,55
	50	Q	250178	229657	210336	192175	159170	130319	105299	83786	65458	49990		
		P	82,84	80,53	78,00	75,28	69,37	62,99	56,34	49,63	43,05	36,81		
HG8/3220-4 HG8/3220-4 S	30	Q				272565	228170	189070	154898	125287	99868	78274	60136	45087
		P				57,99	56,87	54,54	51,23	47,16	42,57	37,68	32,72	27,92
	40	Q				246209	205222	169247	137916	110859	87711	68102	51665	38032
		P				72,94	68,91	64,00	58,45	52,49	46,34	40,24	34,41	29,07
	50	Q				218652	181100	148274	119807	95330	74477	56878		
		P				85,66	78,92	71,66	64,10	56,46	48,98	41,89		

Relating to 25 °C suction gas temperature
(HG8/2470-4 to 20 °C suction gas temperature)
without liquid subcooling

 HG Supplementary cooling or red. suction gas temp.
 HA reduced suction gas temp.

 Motor version -S-
(more powerful motor)  Supplementary cooling and
red. suction gas temp.

- 1
- 2
- 3
- 4

HG	Number of cylinders	Displacement 50 / 60 Hz (1450/1740 rpm)	Electrical data				Weight	Connections ⑥		Oil charge
			Voltage	Max. working current	Max. power consumption	Starting current (rotor locked)		Discharge line DV	Suction line SV	
			①	②	②	A		mm l inch	mm l inch	
Type		m³/h		A	kW	A	kg	mm l inch	mm l inch	Ltr.
				Δ / Y		Δ / Y				
HG12P/60-4 S	2	5,40 / 6,40	③	6,8 / 3,9	2,2	40 / 23	48,0	12 l 1/2	16 l 5/8	0,8
HG12P/75-4	2	6,70 / 8,10	③	7,1 / 4,1	2,3	40 / 23	48,0	12 l 1/2	16 l 5/8	0,8
HG12P/75-4 S	2	6,70 / 8,10	③	8,0 / 4,6	2,6	43 / 25	49,0	12 l 1/2	16 l 5/8	0,8
HG12P/90-4	2	8,00 / 9,60	③	8,5 / 4,9	2,8	43 / 25	49,0	12 l 1/2	16 l 5/8	0,8
HG12P/90-4 S	2	8,00 / 9,60	③	8,8 / 5,1	2,9	45 / 26	49,0	12 l 1/2	16 l 5/8	0,8
HG12P/110-4	2	9,40 / 11,30	③	9,2 / 5,3	3,1	43 / 25	49,0	12 l 1/2	16 l 5/8	0,8
HG12P/110-4 S	2	9,40 / 11,30	③	10,6 / 6,1	3,6	45 / 26	49,0	12 l 1/2	16 l 5/8	0,8
HG22e/125-4	2	11,10 / 13,30	③	9,3 / 5,4	3,0	69 / 40	74,0	16 l 5/8	22 l 7/8	1,0
HG22e/125-4 S	2	11,10 / 13,30	③	10,8 / 6,2	3,6	69 / 40	74,0	16 l 5/8	22 l 7/8	1,0
HG22e/160-4	2	13,70 / 16,40	③	11,1 / 6,4	3,7	69 / 40	74,0	16 l 5/8	22 l 7/8	1,0
HG22e/160-4 S	2	13,70 / 16,40	③	13,1 / 7,6	4,4	87 / 50	76,0	16 l 5/8	22 l 7/8	1,0
HG22e/190-4	2	16,50 / 19,80	③	13,8 / 8,0	4,8	69 / 40	74,0	16 l 5/8	22 l 7/8	1,0
HG22e/190-4 S	2	16,50 / 19,80	③	16,2 / 9,4	5,6	87 / 50	75,0	16 l 5/8	22 l 7/8	1,0
HG34e/215-4	4	18,80 / 22,60	③	14,0 / 8,1	4,8	87 / 50	92,0	22 l 7/8	28 l 1 1/8	1,3
HG34e/215-4 S	4	18,80 / 22,60	③	18,3 / 10,5	6,0	132 / 76	97,0	22 l 7/8	28 l 1 1/8	1,3
HG34e/255-4	4	22,10 / 26,60	③	17,0 / 9,8	6,0	87 / 50	91,0	22 l 7/8	28 l 1 1/8	1,3
HG34e/255-4 S	4	22,10 / 26,60	③	21,1 / 12,2	7,2	132 / 76	96,0	22 l 7/8	28 l 1 1/8	1,3
HG34e/315-4	4	27,30 / 32,80	③	21,1 / 12,2	7,4	111 / 64	94,0	22 l 7/8	28 l 1 1/8	1,3
HG34e/315-4 S	4	27,30 / 32,80	③	25,5 / 14,7	8,9	132 / 76	97,0	22 l 7/8	28 l 1 1/8	1,3
HG34e/380-4	4	33,10 / 39,70	③	26,1 / 15,1	9,3	111 / 64	93,0	22 l 7/8	28 l 1 1/8	1,3
HG34e/380-4 S	4	33,10 / 39,70	③	31,2 / 18,0	11,1	132 / 76	96,0	22 l 7/8	28 l 1 1/8	1,3
				*PW 1+2		*PW1 / PW 1+2				
HG4/465-4	4	40,50 / 48,60	④	18	11,0	57 / 75	148	28 / 1 1/8	35 / 1 3/8	2,7
HG4/465-4 S	4	40,50 / 48,60	④	27	13,0	82 / 107	151	28 / 1 1/8	35 / 1 3/8	2,7
HG4/555-4	4	48,20 / 57,80	④	27	12,9	82 / 107	150	28 / 1 1/8	35 / 1 3/8	2,7
HG4/555-4 S	4	48,20 / 57,80	④	34	15,2	107 / 140	153	28 / 1 1/8	35 / 1 3/8	2,7
HG4/650-4	4	56,60 / 67,90	④	27	15,7	82 / 107	152	28 / 1 1/8	42 / 1 5/8	2,7
HG4/650-4 S	4	56,60 / 67,90	④	34	18,4	107 / 140	155	28 / 1 1/8	42 / 1 5/8	2,7
HG5/725-4	4	62,90 / 75,50	④	33	16,5	82 / 107	198	28 / 1 1/8	42 / 1 5/8	3,6
HG5/725-4 S	4	62,90 / 75,50	④	37	19,4	107 / 140	201	28 / 1 1/8	42 / 1 5/8	3,6
HG5/830-4	4	72,20 / 86,70	④	33	18,9	82 / 107	197	28 / 1 1/8	42 / 1 5/8	3,6
HG5/830-4 S	4	72,20 / 86,70	④	49	22,3	126 / 160	203	28 / 1 1/8	42 / 1 5/8	3,6
HG5/945-4	4	82,20 / 98,60	④	37	22,6	107 / 140	201	35 / 1 3/8	54 / 2 1/8	3,6
HG5/945-4 S	4	82,20 / 98,60	④	49	28,6	126 / 160	205	35 / 1 3/8	54 / 2 1/8	3,6
HG6/1080-4	4	93,70 / 112,40	④	47	26,3	149 / 189	218	35 / 1 3/8	54 / 2 1/8	3,6
HG6/1080-4 S	4	93,70 / 112,40	④	57	31,0	172 / 212	223	35 / 1 3/8	54 / 2 1/8	3,6
HG6/1240-4	4	107,60 / 129,10	④	57	30,5	172 / 212	222	35 / 1 3/8	54 / 2 1/8	3,6
HG6/1240-4 S	4	107,60 / 129,10	④	71	36,0	204 / 250	224	35 / 1 3/8	54 / 2 1/8	3,6
HG6/1410-4	4	122,40 / 146,90	④	57	35,6	172 / 212	219	35 / 1 3/8	54 / 2 1/8	3,6
HG6/1410-4 S	4	122,40 / 146,90	④	71	42,6	204 / 250	222	35 / 1 3/8	54 / 2 1/8	3,6
HG7/1620-4	6	140,60 / 168,80	⑤	76	38,7	223 / 340	278	42 / 1 5/8	54 / 2 1/8	4,5
HG7/1620-4 S	6	140,60 / 168,80	⑤	83	46,3	268 / 373	299	42 / 1 5/8	54 / 2 1/8	4,5
HG7/1860-4	6	161,40 / 193,70	⑤	83	44,6	268 / 373	296	42 / 1 5/8	54 / 2 1/8	4,5
HG7/1860-4 S	6	161,40 / 193,70	⑤	98	53,3	343 / 494	292	42 / 1 5/8	54 / 2 1/8	4,5
HG7/2110-4	6	183,60 / 220,30	⑤	98	51,2	343 / 494	289	42 / 1 5/8	64 / 2 5/8	4,5
HG7/2110-4 S	6	183,60 / 220,30	⑤	115	60,5	344 / 500	297	42 / 1 5/8	64 / 2 5/8	4,5
HG8/2470-4	8	214,30 / 257,10	⑤	102	60,0	274 / 301	432	54 / 2 1/8	76 / 3 1/8	9,0
HG8/2470-4 S	8	214,30 / 257,10	⑤	155	72,5	475 / 551	432	54 / 2 1/8	76 / 3 1/8	9,0
HG8/2830-4	8	245,90 / 295,10	⑤	155	77,5	475 / 551	429	54 / 2 1/8	76 / 3 1/8	9,0
HG8/2830-4 S	8	245,90 / 295,10	⑤	170	84,5	520 / 605	449	54 / 2 1/8	76 / 3 1/8	9,0
HG8/3220-4	8	279,80 / 335,80	⑤	155	78,3	475 / 551	423	54 / 2 1/8	76 / 3 1/8	9,0
HG8/3220-4 S	8	279,80 / 335,80	⑤	170	94,2	520 / 605	443	54 / 2 1/8	76 / 3 1/8	9,0

HA	Number of cylinders	Displacement 50 / 60 Hz (1450/1740 rpm)	Electrical data				Weight	Connections ⑥		Oil charge
			Voltage	Max. working current	Max. power consumption	Starting current (rotor locked)		Discharge line DV	Suction line SV	
Type		m ³ /h	①	②	②	②	kg	mm inch	mm inch	Ltr.
				Δ / Y		Δ / Y				
HA12P/60-4	2	5,40 / 6,40	③	5,5 / 3,2	1,7	40 / 23	52,0	12 1/2	12 1/2	0,8
HA12P/75-4	2	6,70 / 8,10	③	5,9 / 3,4	1,8	40 / 23	53,0	12 1/2	12 1/2	0,8
HA12P/90-4	2	8,00 / 9,60	③	6,6 / 3,8	2,0	43 / 25	53,0	12 1/2	12 1/2	0,8
HA12P/110-4	2	9,40 / 11,30	③	6,9 / 4,0	2,2	43 / 25	53,0	12 1/2	12 1/2	0,8
HA22P/125-4	2	11,10 / 13,30	③	7,1 / 4,1	3,0	69 / 40	80,0	12 1/2	16 5/8	1,0
HA22P/160-4	2	13,70 / 16,40	③	8,2 / 4,8	4,0	87 / 50	82,0	12 1/2	16 5/8	1,0
HA22P/190-4	2	16,50 / 19,80	③	9,0 / 5,2	4,0	87 / 50	81,0	12 1/2	16 5/8	1,0
HA34P/215-4	4	18,80 / 22,60	③	10,9 / 6,3	3,7	87 / 50	98,0	16 5/8	22 7/8	1,3
HA34P/255-4	4	22,10 / 26,60	③	12,5 / 7,2	4,3	87 / 50	98,0	16 5/8	22 7/8	1,3
HA34P/315-4	4	27,30 / 32,80	③	16,2 / 9,4	5,3	132 / 76	100,0	16 5/8	22 7/8	1,3
HA34P/380-4	4	33,10 / 39,70	③	18,9 / 11,0	6,4	132 / 76	100,0	16 5/8	22 7/8	1,3
				*PW 1+2		*PW1 / PW 1+2				
HA4/465-4	4	40,50 / 48,60	④	21	11,2	82 / 107	155,0	28 / 1 1/8	35 / 1 3/8	2,7
HA4/555-4	4	48,20 / 57,80	④	26	13,3	107 / 140	157,0	28 / 1 1/8	35 / 1 3/8	2,7
HA4/650-4	4	56,60 / 67,90	④	26	15,6	107 / 140	156,0	28 / 1 1/8	35 / 1 3/8	2,7
HA5/725-4	4	62,90 / 75,50	④	26	12,5	107 / 140	204,0	28 / 1 1/8	42 / 1 5/8	3,6
HA5/830-4	4	72,20 / 86,70	④	26	12,8	126 / 160	207,0	28 / 1 1/8	42 / 1 5/8	3,6
HA5/945-4	4	82,20 / 98,60	④	26	12,9	126 / 160	205,0	28 / 1 1/8	42 / 1 5/8	3,6
HA6/1080-4	4	93,70 / 112,40	④	31	15,8	172 / 212	223,0	28 / 1 1/8	42 / 1 5/8	3,6
HA6/1240-4	4	107,60 / 129,10	④	31	15,9	172 / 212	221,0	28 / 1 1/8	42 / 1 5/8	3,6
HA6/1410-4	4	122,40 / 146,90	④	31	16,2	172 / 212	219,0	28 / 1 1/8	42 / 1 5/8	3,6

* PW = Part Winding, motors for part winding start 1 = 1. part winding 2 = 2. part winding

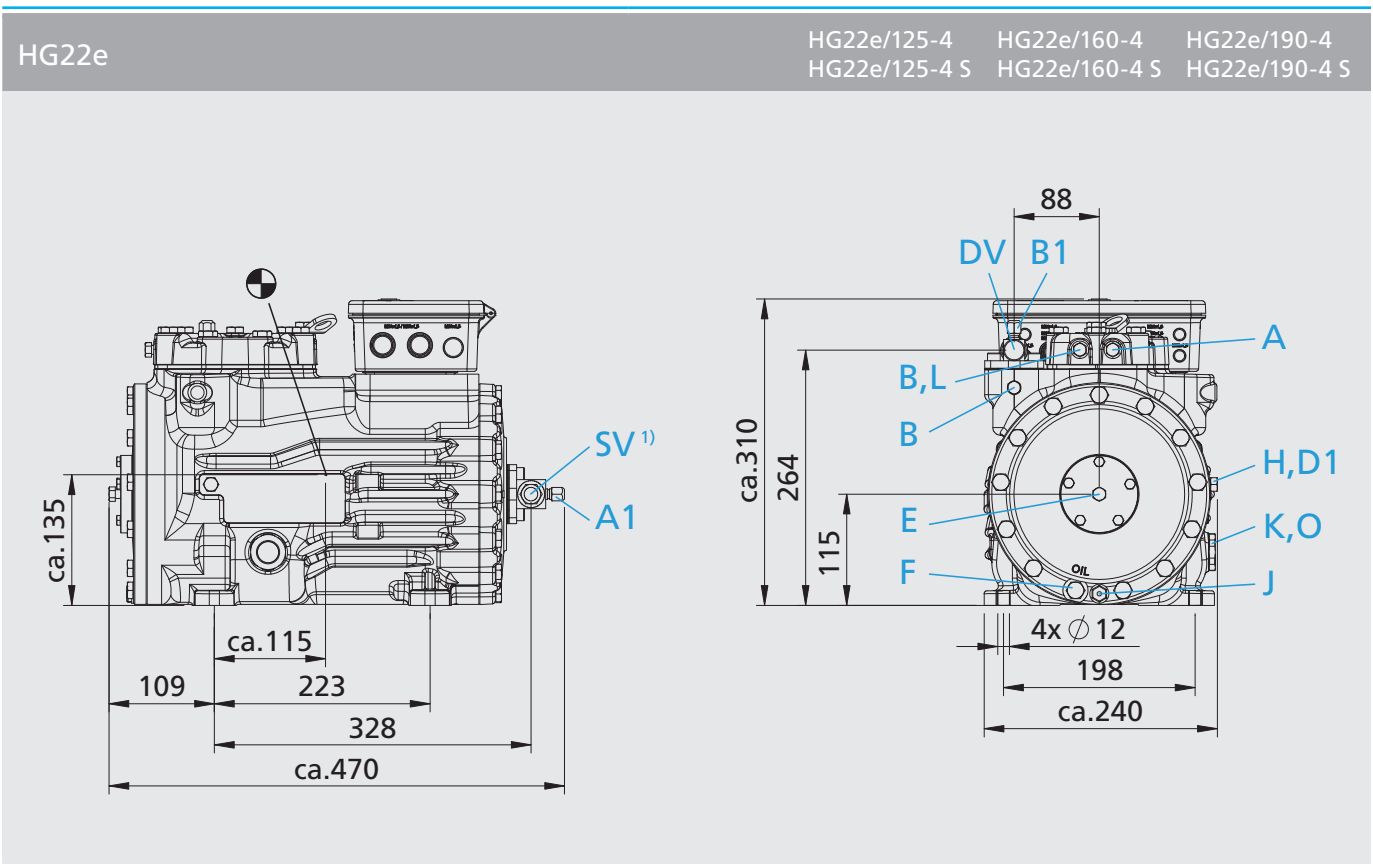
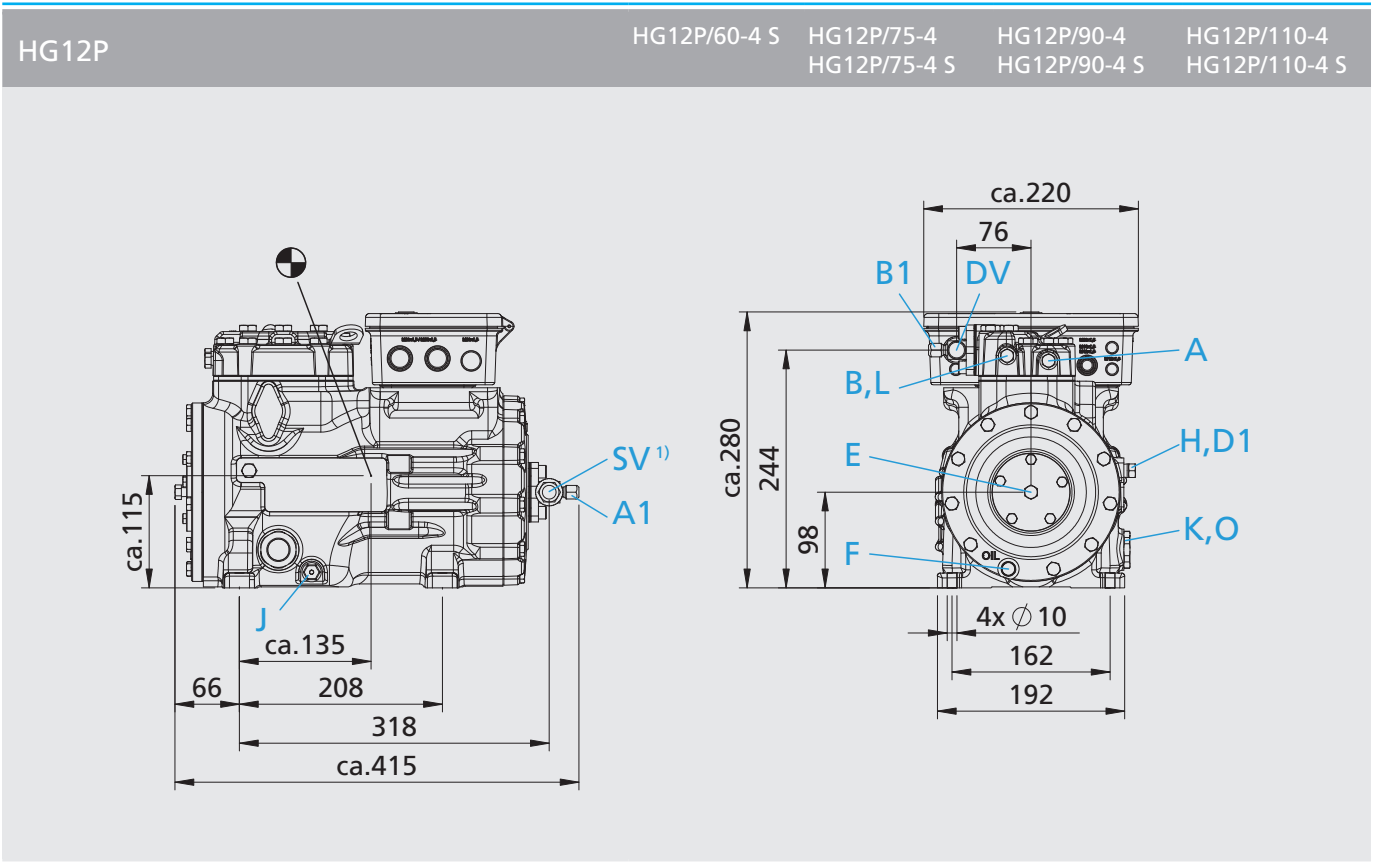
Oil sump heater 110-240 V - 1 - 50/60 Hz (option)
HG(HA)12, HG(HA)22, HG(HA)34: 50-120 W
PTC heater, self-regulating, installation in housing bore

Fan motors for the HA version 230 V - 1 - 50/60 Hz
- HA12P: 40 W / 0,3 A
- HA22P, HA34P: 72 W / 0,53 A
- HA4, HA5, HA6: 140 W / 0,71 A

Oil sump heater 230 V - 1 - 50/60 Hz (standard)
- HG(HA)4: 80 W
- HG(HA)5, HG(HA)6, HG7: 140 W
- HG8: 200 W
Permanently set version, installation in immersion sleeve

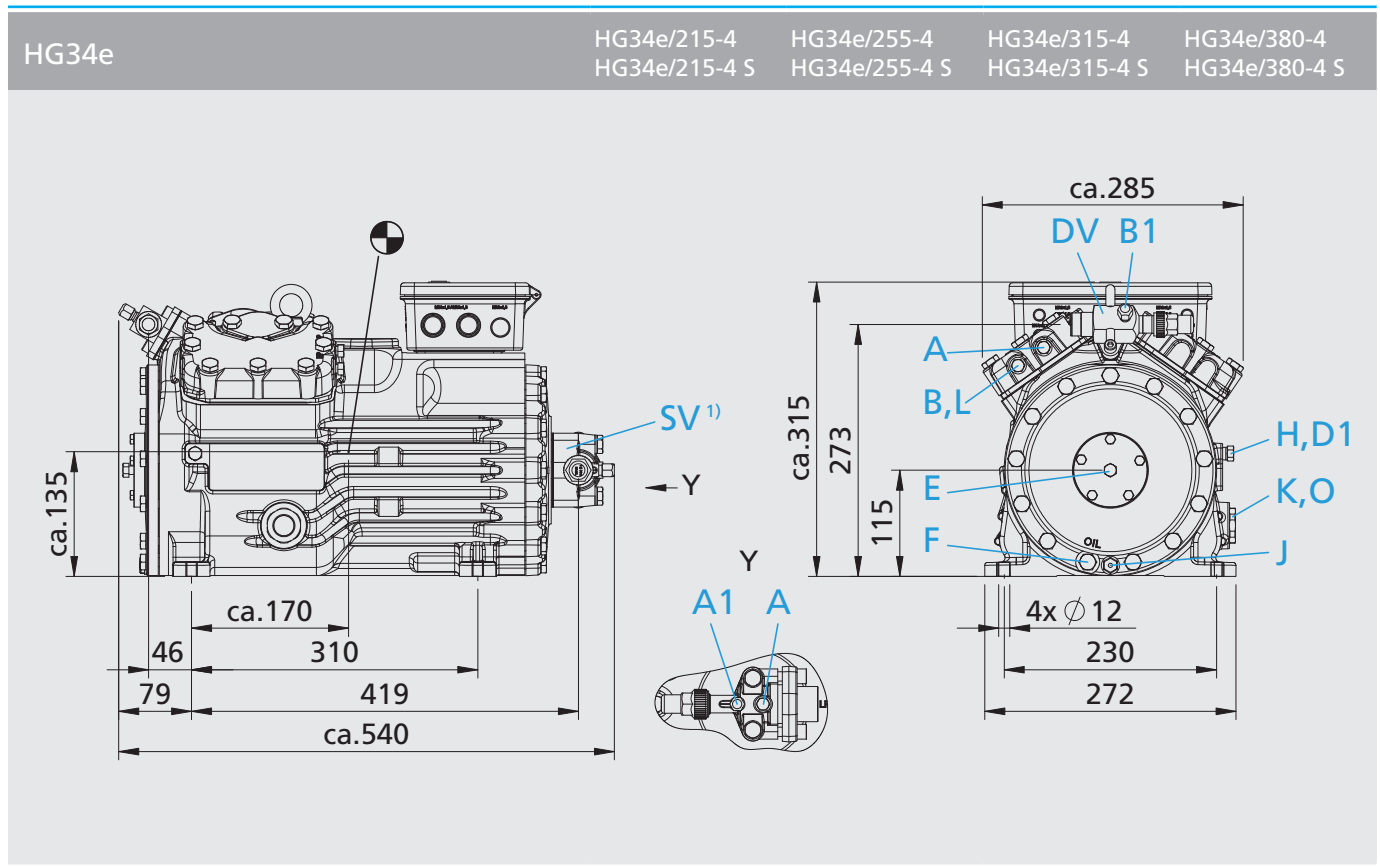
Explanations:

- ① Tolerance (± 10%) relates to the mean value of the voltage range. Other voltages and current types on request.
- ② - The specifications for max. power consumption apply for 50Hz operation. For 60Hz operation, the specifications have to be multiplied by the factor 1.2. The max. working current remains unchanged.
- Take account of the max. operating current / max. power consumption when designing contactors, leads and fuses. Switches: Service category AC3
- ③ 220-240 V Δ / 380-420 V Y - 3 - 50 Hz
265-290 V Δ / 440-480 V Y - 3 - 60 Hz
- ④ 380-420 V Y/Y - 3 - 50 Hz PW
440-480 V Y/Y - 3 - 60 Hz PW
PW = Part Winding, motors for part winding start (no start unloaders required)
- Winding ratios: HG(HA)4, HG(HA)5, HG(HA)6 = 66% / 33%
- Designs for Y/Δ on request
- ⑤ 380-420 V Δ / YYY - 3 - 50 Hz PW
440-480 V Δ / YYY - 3 - 60 Hz PW
PW = Part Winding, motors for part winding start (no start unloaders required)
- Winding ratios: HG7, HG8 = 60% / 40%
- Designs for Y/Δ on request
- ⑥ For soldering connections

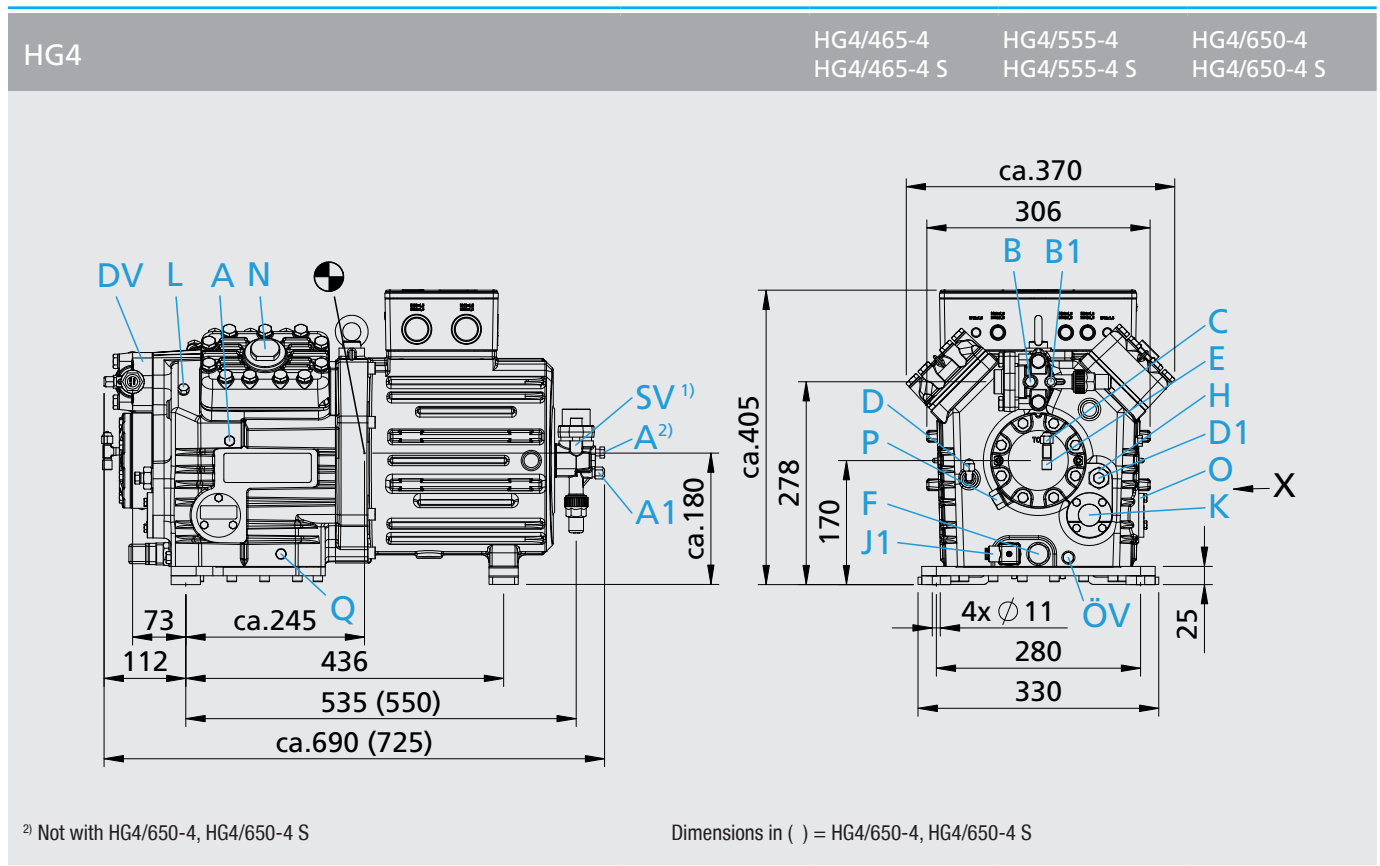


Dimensions in mm
¹⁾ SV 90° rotatable
 ☉ Centre of gravity

- Connections see page 54
 - Dimensions for anti-vibration pad see page 51

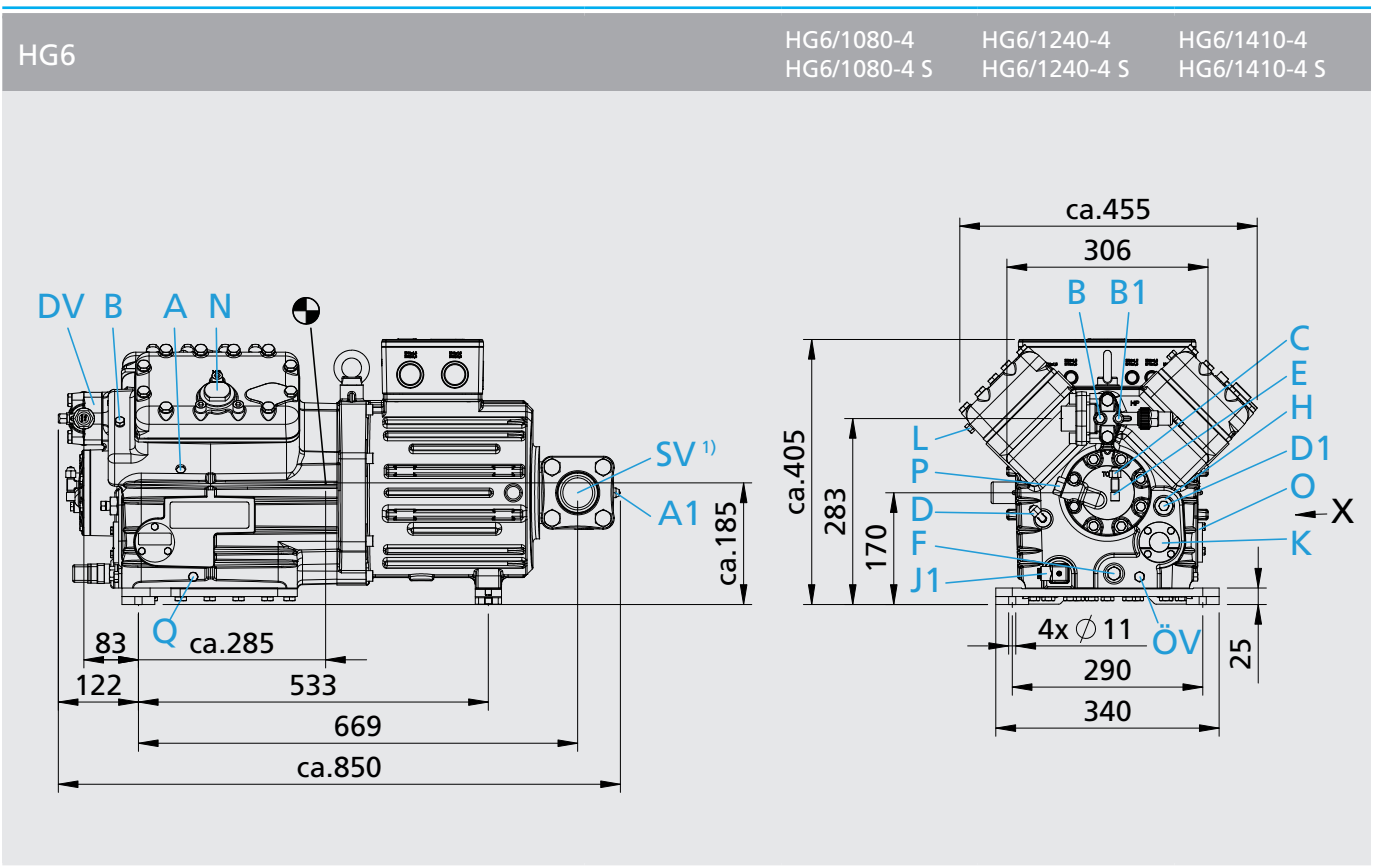
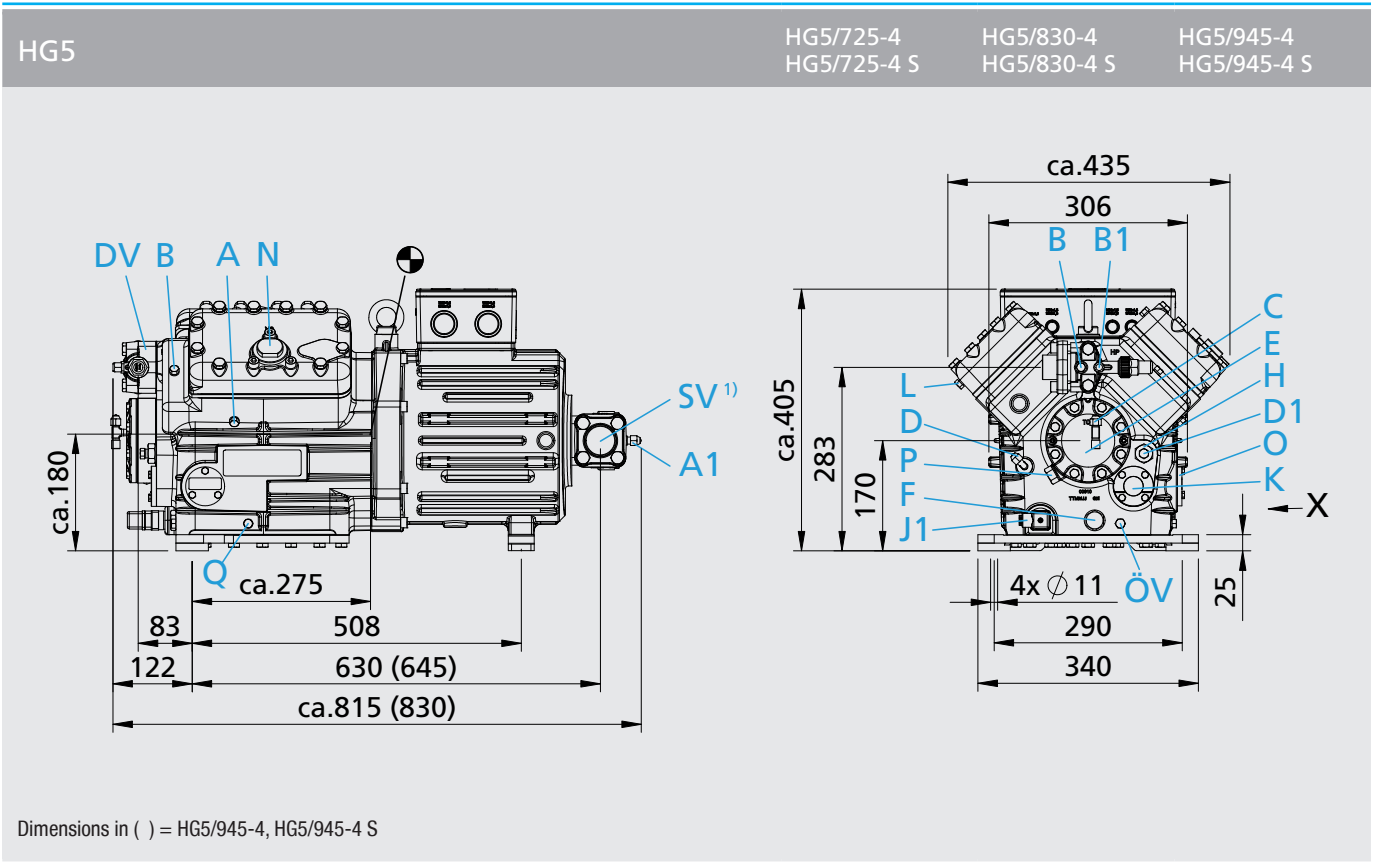


- 1
- 2
- 3
- 4



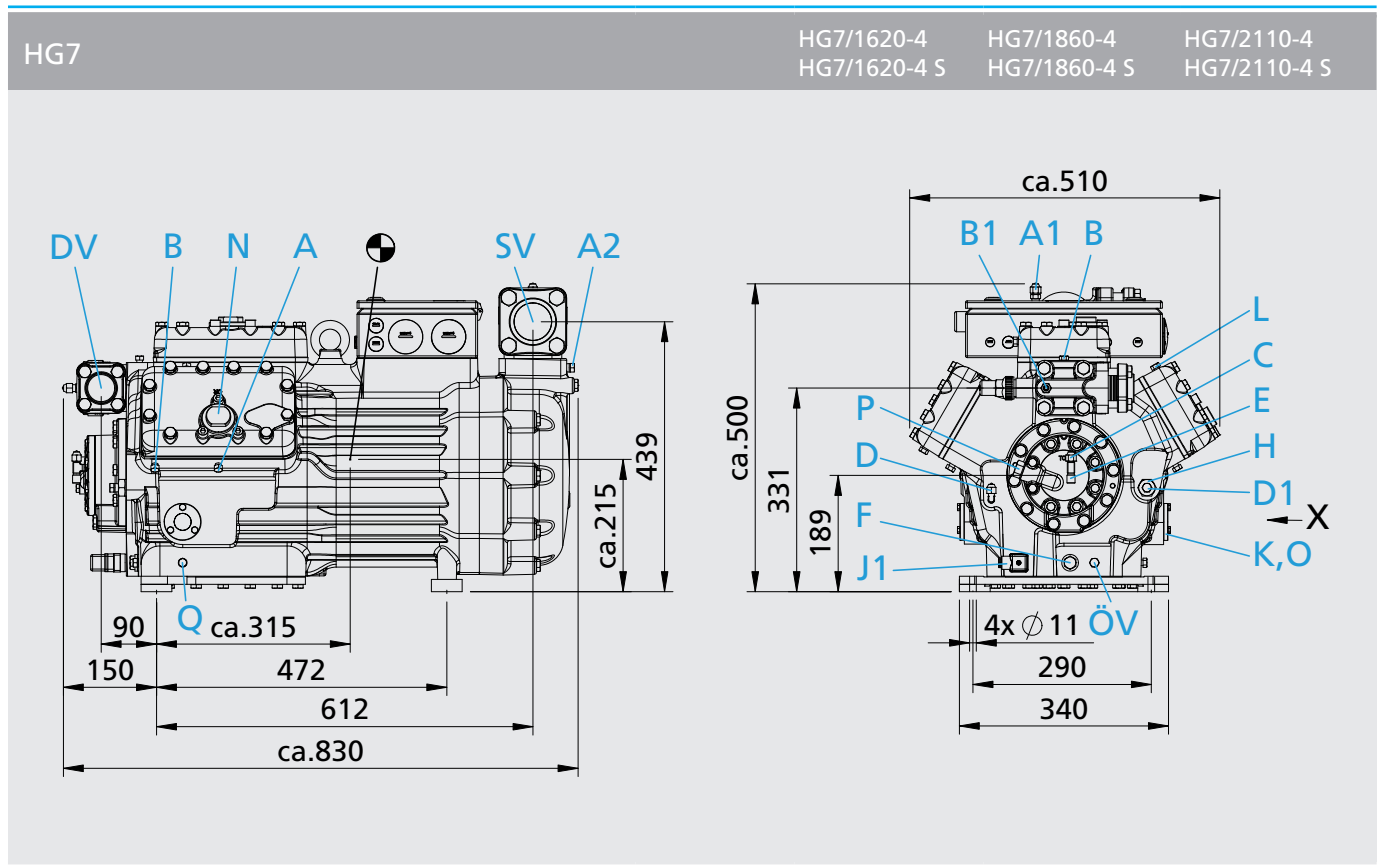
Dimensions in mm
¹⁾ SV 90° rotatable
 Centre of gravity

- Connections see page 54
 - Dimensions for anti-vibration pad see page 51
 - Dimensions for view X see page 51

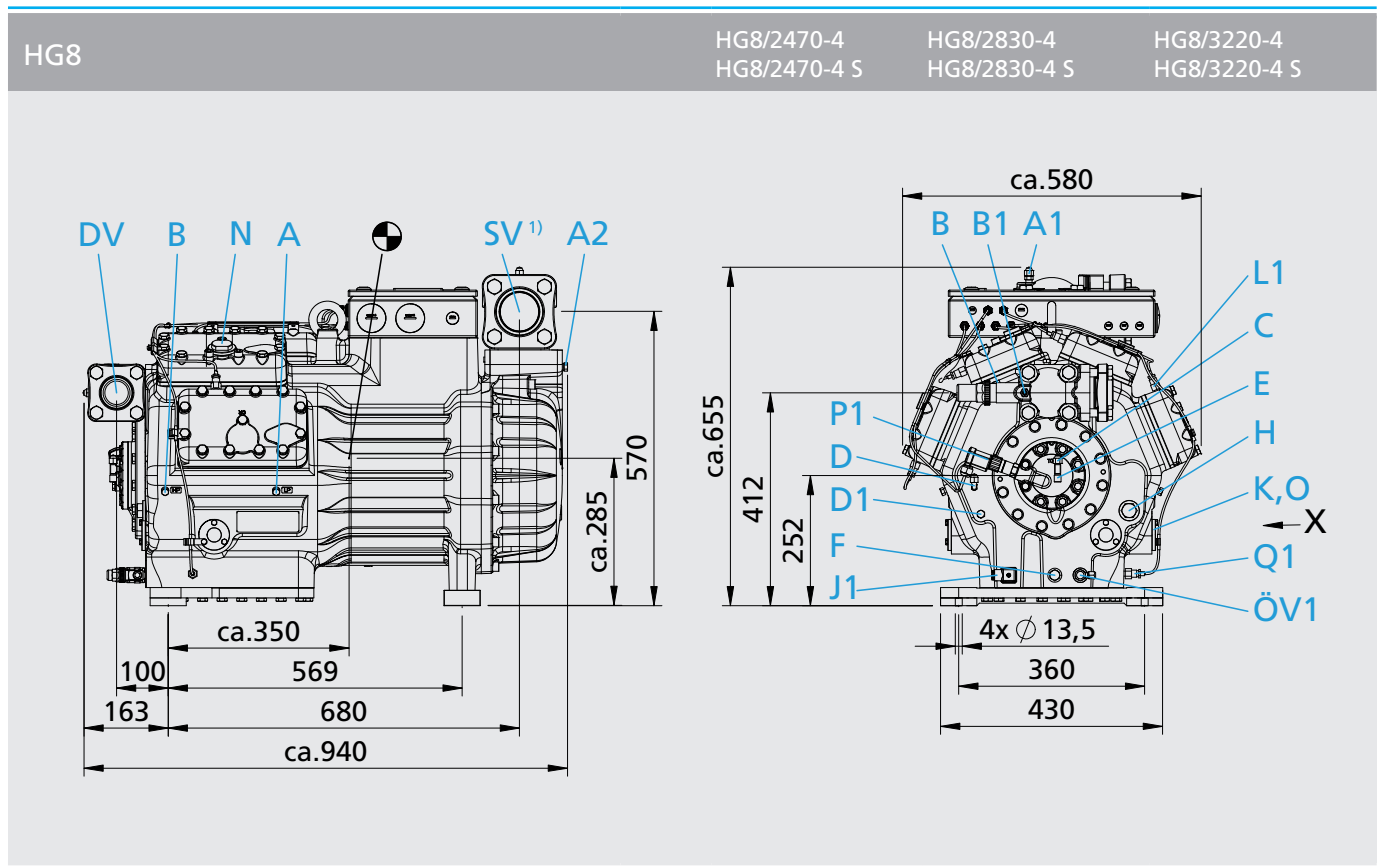


Dimensions in mm
¹⁾ SV 90° rotatable
 ● Centre of gravity

- Connections see page 54
 - Dimensions for anti-vibration pad see page 51
 - Dimensions for view X see page 51

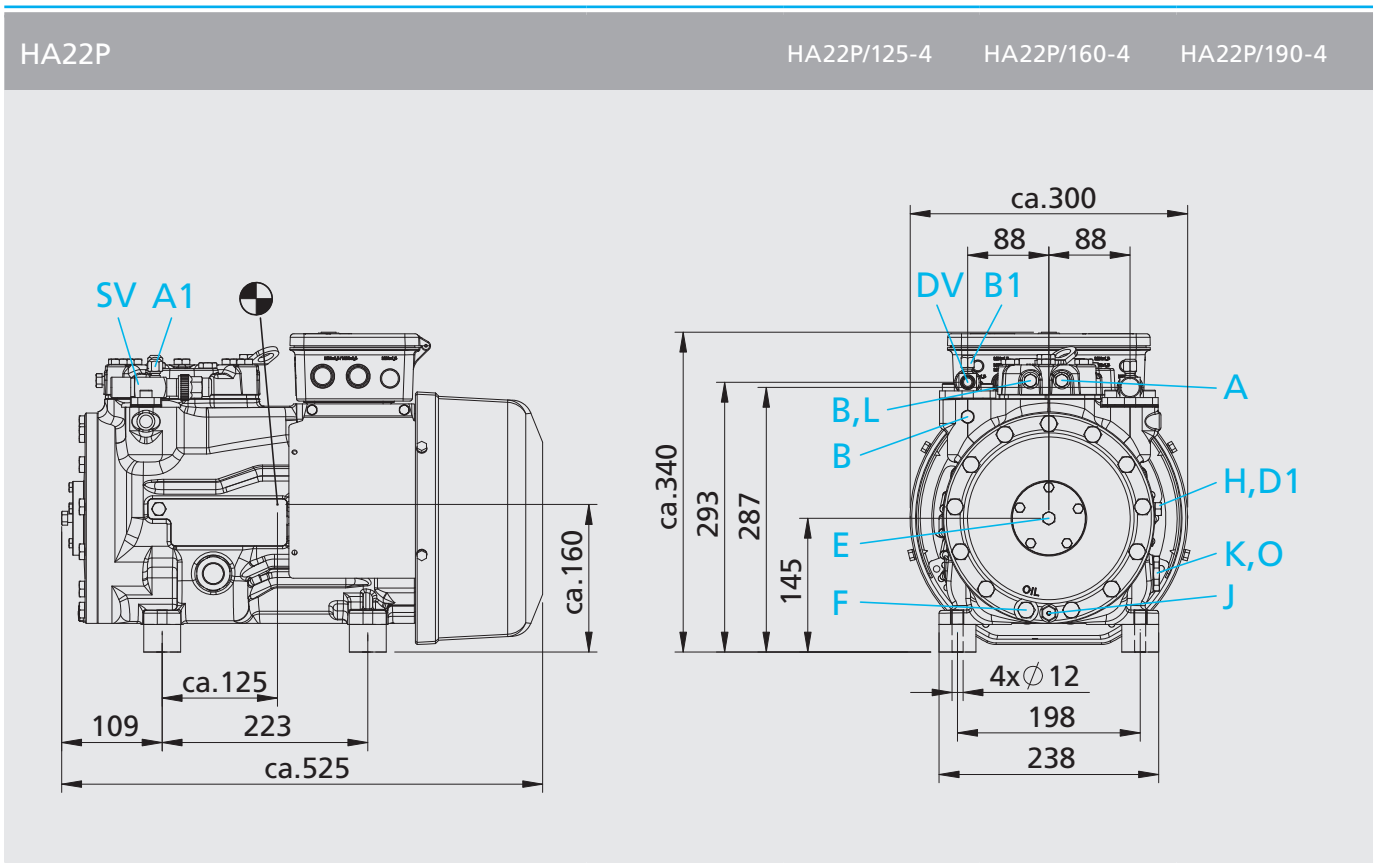
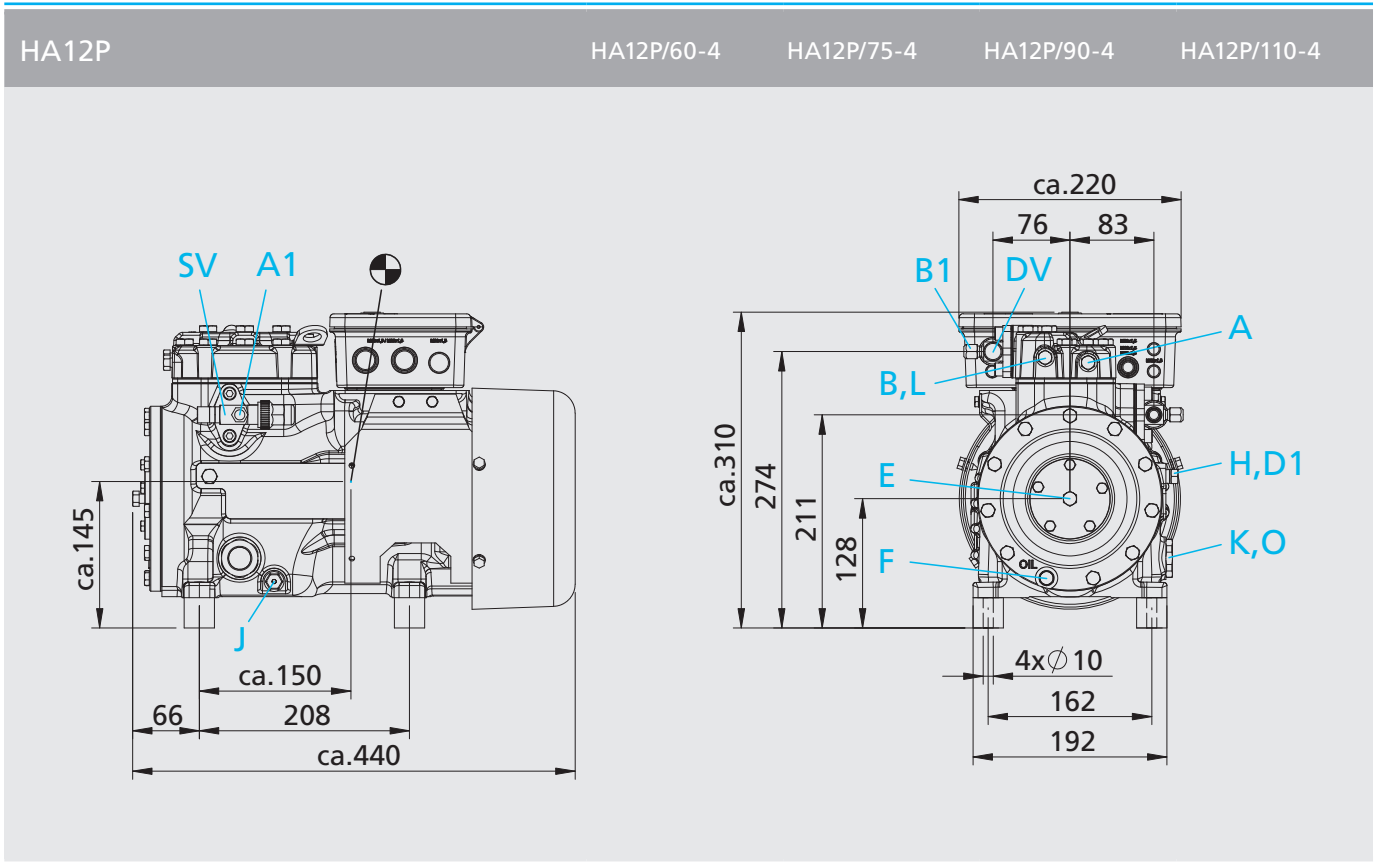


- 1
- 2
- 3
- 4



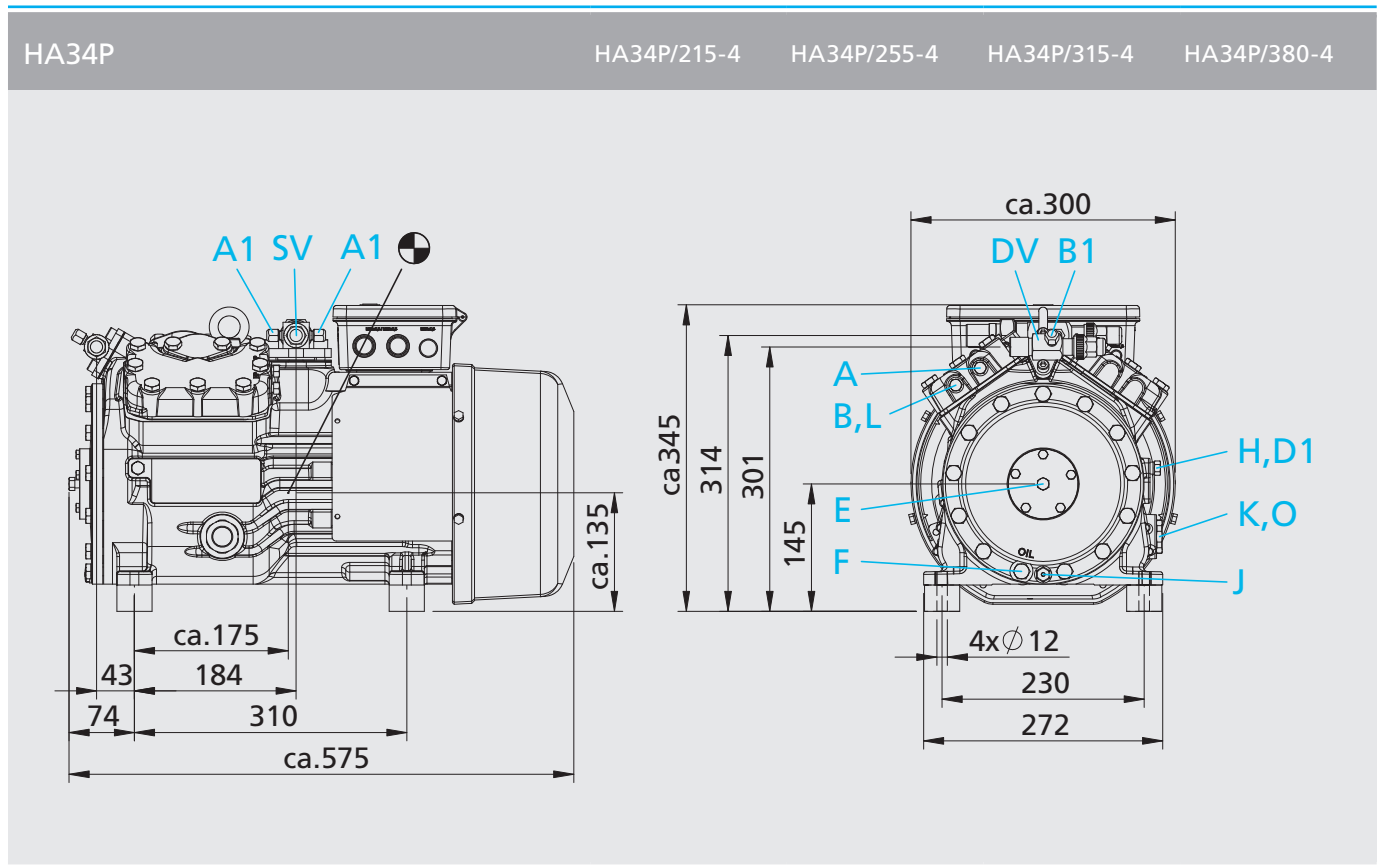
Dimensions in mm
 1) Suction cover 90° rotatable
 ☉ Centre of gravity

- Connections see page 54
 - Dimensions for anti-vibration pad see page 51
 - Dimensions for view X see page 51

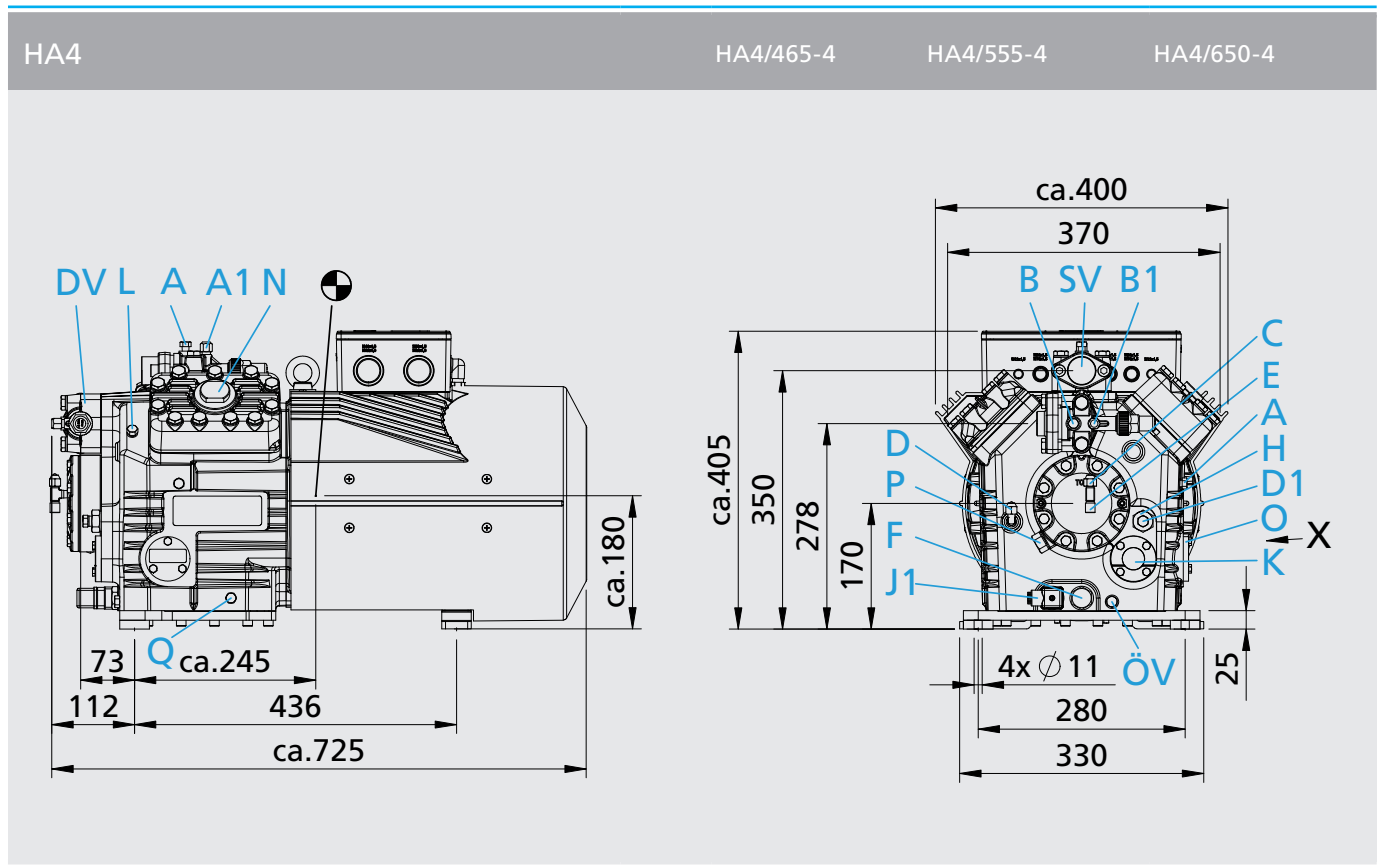


Dimensions in mm
 ● Centre of gravity

- Connections see page 54
 - Dimensions for anti-vibration pad see page 51
 - Dimensions for view X see page 51

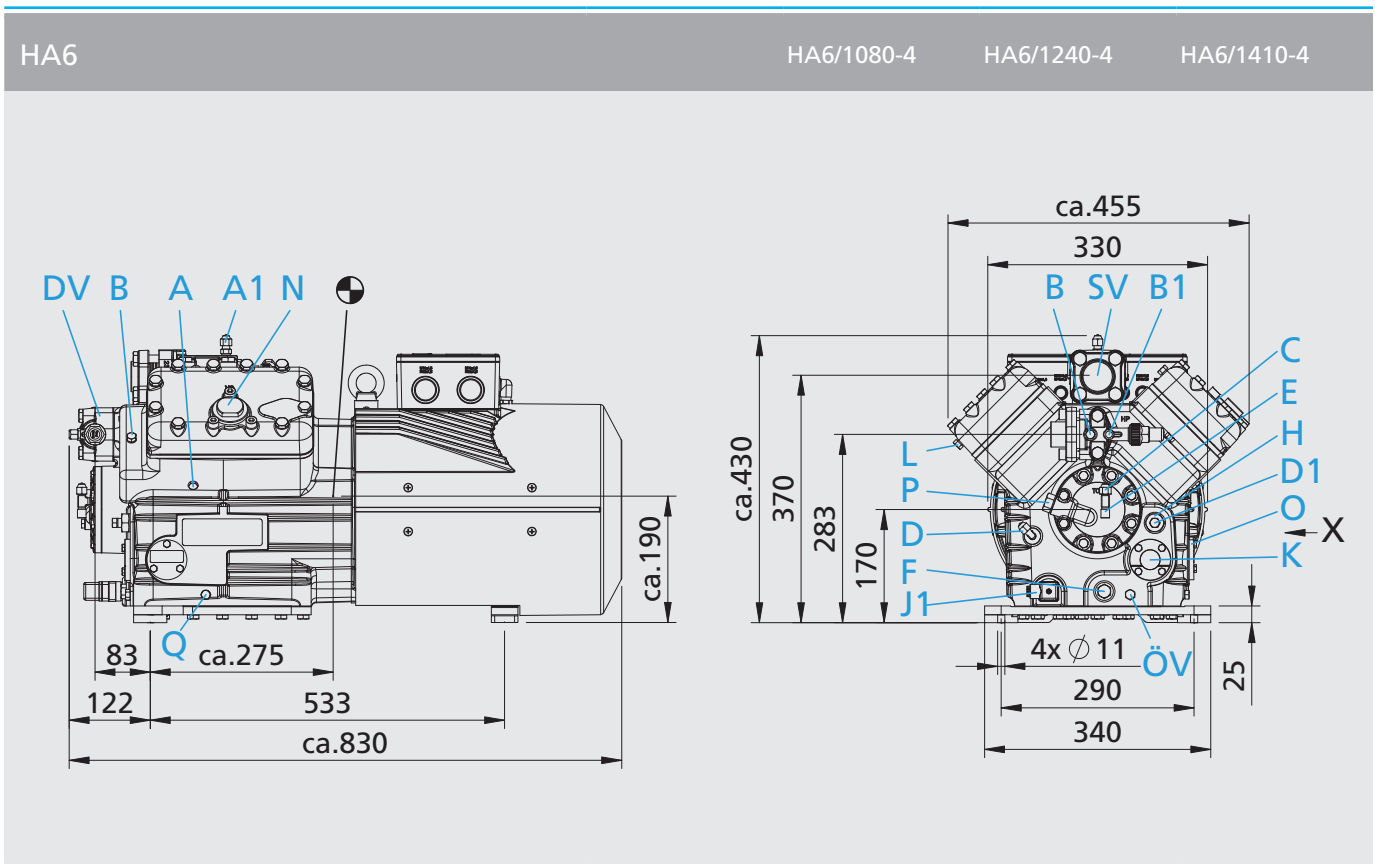
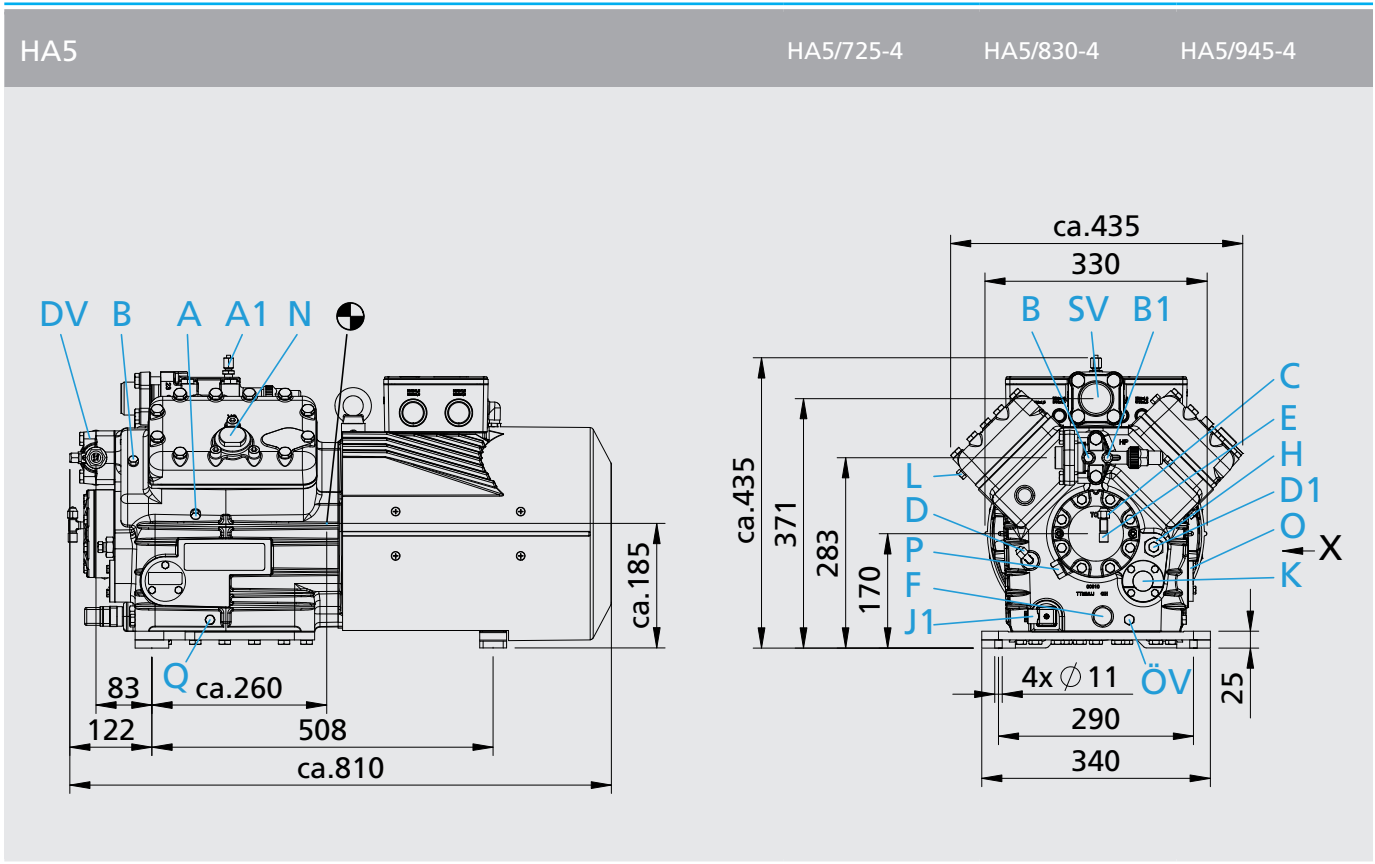


- 1
- 2
- 3
- 4



Dimensions in mm
 ● Centre of gravity

- Connections see page 54
 - Dimensions for anti-vibration pad see page 51
 - Dimensions for view X see page 51



Dimensions in mm
 ● Centre of gravity

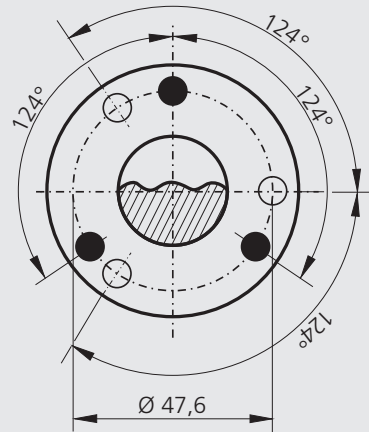
- Connections see page 54
 - Dimensions for anti-vibration pad see page 51
 - Dimensions for view X see page 51

View X

Possibility to connect to oil level regulator

HG4, HG5, HG6, HG7, HG8
HA4, HA5, HA6

- Three-hole connection for oil level regulator make ESK, AC+R, CARLY (3x M6, 10 deep)
- Three-hole connection for oil level regulator make TRAXOIL (3 x M6 x 10 deep)

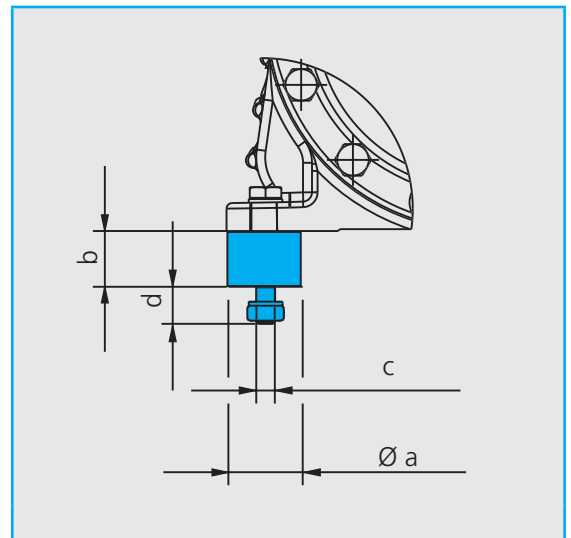


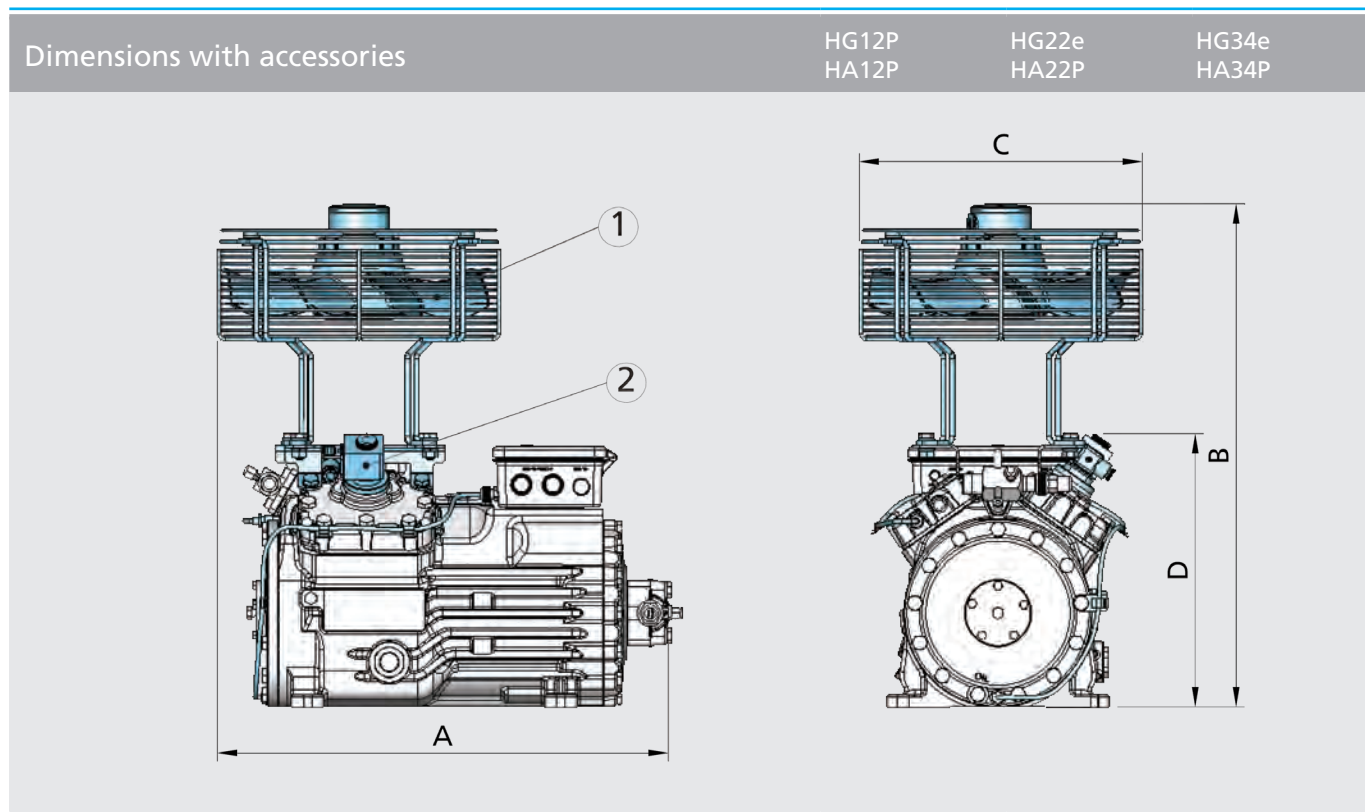
Dimensions in mm

- 1
- 2
- 3
- 4

Dimensions for anti-vibration pad

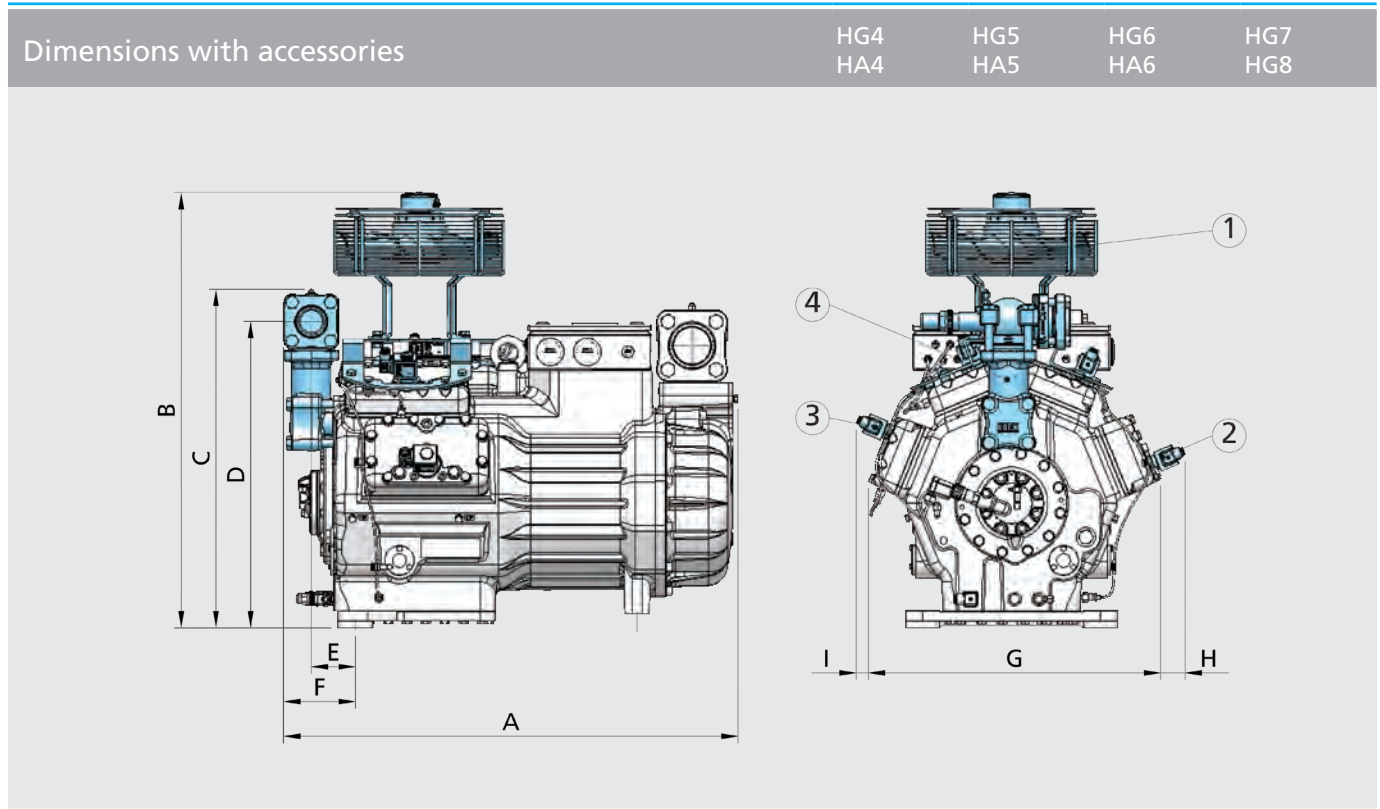
Type	Ø a mm	b mm	c mm	d mm
HG12P, HA12P	30	30	M8	20
HG22e, HA22P	40	30	M10	20
HG34e, HA34P	40	30	M10	20
HG4, HA4	40	30	M10	20
HG5, HA5	50	30	M10	25
HG6, HA6	50	30	M10	25
HG7	50	30	M10	25
HG8	70	45	M12	37





① Additional fan ② Capacity regulator

Type	A mm	B mm	C mm	D mm
HG12P	ca. 460	ca. 500	ca. 315	-
HA12P	-	-	-	-
HG22e	ca. 515	ca. 595	ca. 350	-
HA22P	-	-	-	-
HG34e	ca. 570	ca. 620	ca. 350	ca. 340
HA34P	-	-	-	ca. 370



- ① Additional fan
- ② Capacity regulator
- ③ Start unloader
- ④ Intermediate adapter for discharge line valve

Type	A mm	B mm	C mm	D mm	E mm	F mm	G mm	H mm	I mm
HG4/465, HG4/555	ca. 705	ca. 680	ca. 455	416	91	131	ca. 375	ca. 20	ca. 20
HG4/650	ca. 740	ca. 680	ca. 455	416	91	131	ca. 375	ca. 20	ca. 20
HA4	-	-	-	-	-	-	ca. 400	ca. 5	ca. 5
HG5/725, HG5/830	ca. 835	ca. 730	ca. 465	422	101	141	ca. 440	ca. 30	-
HG5/945	ca. 850	ca. 730	ca. 465	422	101	141	ca. 440	ca. 30	-
HA5	-	-	-	-	-	-	ca. 435	ca. 30	-
HG6	ca. 870	ca. 740	ca. 460	421	101	141	ca. 460	ca. 30	-
HA6	-	-	-	-	-	-	ca. 455	ca. 30	-
HG7	ca. 830	ca. 760	ca. 580	520,5	95	150	ca. 510	ca. 45	ca. 15
HG8	ca. 920	ca. 880	ca. 680	617	90	145	ca. 580	ca. 50	ca. 20

- 1
- 2
- 3
- 4

Connections	HG12P HA12P	HG22e HA22P	HG34e HA34P	HG4 HA4	HG5 HA5	HG6 HA6	HG7	HG8
SV Suction line DV Discharge line	please refer to Technical data page 42							
A Connection suction side, not lockable	1/8" NPTF	1/8" NPTF	1/8" NPTF	1/8" NPTF	1/8" NPTF	1/8" NPTF	1/8" NPTF	1/8" NPTF
A1 Connection suction side, lockable	7/16" UNF	7/16" UNF	7/16" UNF	7/16" UNF	7/16" UNF	7/16" UNF	7/16" UNF	7/16" UNF
A2 Connection suction side, not lockable	-	-	-	-	-	-	1/4" NPTF	1/4" NPTF
B Connection suction side, not lockable	1/8" NPTF	1/8" NPTF	1/8" NPTF	1/8" NPTF	1/8" NPTF	1/8" NPTF	1/8" NPTF	1/8" NPTF
B1 Connection discharge side, lockable	7/16" UNF	7/16" UNF	7/16" UNF	7/16" UNF	7/16" UNF	7/16" UNF	7/16" UNF	7/16" UNF
C Connection oil pressure safety switch OIL	-	-	-	7/16" UNF	7/16" UNF	7/16" UNF	7/16" UNF	7/16" UNF
D Connection oil pressure safety switch LP	-	-	-	7/16" UNF	7/16" UNF	7/16" UNF	7/16" UNF	7/16" UNF
D1 Connection oil return from oil separator	1/4" NPTF	1/4" NPTF	1/4" NPTF	1/4" NPTF	1/4" NPTF	1/4" NPTF	1/4" NPTF	1/4" NPTF
E Connection oil pressure gauge	1/8" NPTF	1/8" NPTF	1/8" NPTF	7/16" UNF	7/16" UNF	7/16" UNF	7/16" UNF	7/16" UNF
F Oil drain	M 8	M 10	M 10	M 22 x 1,5	M 22 x 1,5	M 22 x 1,5	M 22 x 1,5	M 22 x 1,5
H Oil charge plug	1/4" NPTF	1/4" NPTF	1/4" NPTF	M 22 x 1,5	M 22 x 1,5	M 22 x 1,5	M 22 x 1,5	M 33 x 2
J Connection oil sump heater	Ø 15 mm ¹⁾	Ø 15 mm ¹⁾	Ø 15 mm ¹⁾	-	-	-	-	-
J1 Oil sump heater	-	-	-	M 22 x 1,5	M 22 x 1,5	M 22 x 1,5	M 22 x 1,5	M 22 x 1,5
K Sight glass	1 1/8" - 18 UNEF	1 1/8" - 18 UNEF	1 1/8" - 18 UNEF	4 hole M 6	4 hole M 6	4 hole M 6	3 hole M 6	3 hole M 6
L Connection thermal protection thermostat	1/8" NPTF	1/8" NPTF	1/8" NPTF	1/8" NPTF	1/8" NPTF	1/8" NPTF	1/8" NPTF	-
L1 Thermal protection thermostat	-	-	-	-	-	-	-	1/8" NPTF
N Connection capacity controller	-	-	-	M 48 x 1,5	M 45 x 1,5	M 45 x 1,5	M 45 x 1,5	M 45 x 1,5
O Connection oil level regulator	1 1/8" - 18 UNEF	1 1/8" - 18 UNEF	1 1/8" - 18 UNEF	①	①	①	①	①
ÖV Connection oil service valve	-	-	-	1/4" NPTF	1/4" NPTF	1/4" NPTF	1/4" NPTF	-
ÖV1 Oil service valve	-	-	-	-	-	-	-	7/16" UNF
P Connection oil pressure differential sensor	-	-	-	M 20 x 1,5	M 20 x 1,5	M 20 x 1,5	M 20 x 1,5	-
P1 Oil pressure differential sensor	-	-	-	-	-	-	-	M 20 x 1,5
Q Connection oil temperature sensor	-	-	-	1/8" NPTF	1/8" NPTF	1/8" NPTF	1/8" NPTF	-
Q1 Oil temperature sensor	-	-	-	-	-	-	-	1/8" NPTF

¹⁾ = Possibility of connection of oil sump heater

① Dimensions see view X page 51

Scope of supply HG	HG12P	HG22e	HG34e	HG4	HG5	HG6	HG7	HG8
Semi-hermetic two cylinder reciprocating compressor with drive motor for direct start 220-240 V Δ / 380-420 V Y - 3 - 50 Hz 265-290 V Δ / 440-480 V Y - 3 - 60 Hz Single-section compressor housing with hermetically integrated electric motor	●	●						
Semi-hermetic four cylinder reciprocating compressor with drive motor for direct start 220-240 V Δ / 380-420 V Y - 3 - 50 Hz 265-290 V Δ / 440-480 V Y - 3 - 60 Hz Single-section compressor housing with hermetically integrated electric motor			●					
Semi-hermetic four cylinder reciprocating compressor with drive motor for part winding start 380-420 V Y/Y - 3 - 50 Hz 440-480 V Y/Y - 3 - 60 Hz Motor unit flanged onto the compressor housing				●	●	●		
Semi-hermetic six cylinder reciprocating compressor with drive motor for part winding start 380-420 V Δ / YYY - 3 - 50 Hz 440-480 V Δ / YYY - 3 - 60 Hz Single-section compressor housing with hermetically integrated electric motor							●	
Semi-hermetic eight cylinder reciprocating compressor with drive motor for part winding star 380-420 V Δ / YYY - 3 - 50 Hz 440-480 V Δ / YYY - 3 - 60 Hz Single-section compressor housing with hermetically integrated electric motor								●
Winding protection with PTC resistor sensors and electronic triggering unit Bock MP10	●	●	●	●	●	●	●	
Winding protection with PTC sensors, readily wired and connected with Bock Compressor Management BCM2000								●
Individual protection of the cylinder heads with thermal protection thermostats, readily wired and connected with Bock Compressor Management BCM2000								●
Oil temperature sensor in the oil sump, readily wired and connected with Bock Compressor Management BCM2000								●
Oil differential pressure sensor (Δp-switch Kriwan make), ready wired and connected with Bock Compressor Management BCM2000								●
Oil pump cover with screwed connection for differential oil pressure sensor (Δp-switch Kriwan make)				●	●	●	●	
Possibility to connect to oil level controllers makes ESK, AC+R or CARLY	● ¹⁾	● ¹⁾	● ¹⁾	●	●	●	●	●
Possibility to connect to oil level controllers make Traxoil	● ¹⁾	● ¹⁾	● ¹⁾	● ¹⁾	● ¹⁾	● ¹⁾	● ¹⁾	● ¹⁾
Oil sump heater 230 V - 1 - 50/60 Hz, 80 W				●				
Oil sump heater 230 V - 1 - 50/60 Hz, 140 W					●	●	●	
Oil sump heater 230 V - 1 - 50/60 Hz, 200 W								●
Oil service valve								●
Oil charge: HG: FUCHS Reniso SP 46 HGX: FUCHS Reniso Triton SE 55	●	●	●	●	●	●	●	●
Sight glass	●	●	●	●	●	●		
Two sight glasses							●	
Three sight glasses								●
Prepared for capacity regulator (1 cylinder cover)				●	●	●		
Prepared for capacity regulator (2 cylinder covers)							●	
Prepared for capacity regulator (3 cylinder covers)								●
Decompression valve				●	●	●	●	●
Suction and discharge line valve	●	●	●	●	●	●	●	●
Inert gas charge	●	●	●	●	●	●	●	●
4 anti-vibration pads enclosed	●	●	●	●	●	●	●	●

- 1
- 2
- 3
- 4

1) Only possible with additional adapter

Scope of supply HA	HA12P	HA22P	HA34P	HA4	HA5	HA6
Semi-hermetic two cylinder reciprocating compressor with drive motor for direct start 220-240 V Δ / 380-420 V Y - 3 - 50 Hz 265-290 V Δ / 440-480 V Y - 3 - 60 Hz Single-section compressor housing with hermetically integrated electric motor	●	●				
Semi-hermetic four cylinder reciprocating compressor with drive motor for direct start 220-240 V Δ / 380-420 V Y - 3 - 50 Hz 265-290 V Δ / 440-480 V Y - 3 - 60 Hz Single-section compressor housing with hermetically integrated electric motor			●			
Semi-hermetic four cylinder reciprocating compressor with drive motor for part winding start 380-420 V Y/YY - 3 - 50 Hz 440-480 V Y/YY - 3 - 60 Hz Motor unit flanged onto the compressor housing				●	●	●
Motor is cooled by an integrated fan with air deflection hood 230 V - 1 - 50/60 Hz, 40 W, 0,3 A, IP44	●					
Motor is cooled by an integrated fan with air deflection hood 230 V - 1 - 50/60 Hz, 72 W, 0,53 A, IP44		●	●			
Motor is cooled by an integrated fan with air deflection hood 230 V - 1 - 50/60 Hz, 140 W, 0,71 A, IP44				●	●	●
Winding protection with PTC resistor sensors and electronic motor protection unit Bock MP10	●	●	●	●	●	●
Oil pump cover with screwed connection for differential oil pressure sensor (Δp-switch Krivan make)				●	●	●
Possibility to connect to oil level controllers makes ESK, AC+R or CARLY	● ¹⁾	● ¹⁾	● ¹⁾	●	●	●
Possibility to connect to oil level controllers make Traxoil	● ¹⁾	● ¹⁾	● ¹⁾	● ¹⁾	● ¹⁾	● ¹⁾
Oil sump heater 230 V - 1 - 50/60 Hz, 80 W				●		
Oil sump heater 230 V - 1 - 50/60 Hz, 140 W					●	●
Oil charge: HA: FUCHS Reniso SP 46 HAX: FUCHS Reniso Triton SE 55	●	●	●	●	●	●
Sight glass	●	●	●	●	●	●
Prepared for capacity regulator (1 cylinder cover)				●	●	●
Decompression valve				●	●	●
Suction and discharge line valve	●	●	●	●	●	●
Inert gas charge	●	●	●	●	●	●
4 anti-vibration pads enclosed	●	●	●	●	●	●

¹⁾ Only possible with additional adapter

Accessories HG + HA	HG12P HA12P	HG22e HA22P	HG34e HA34P	HG4 HA4	HG5 HA5	HG6 HA6	HG7	HG8
① Start unloader 230 V - 1 - 50/60 Hz, IP65, without check valve, including thermal protection thermostat (PTC sensor)				●	●	●	●	
Start unloader 230 V - 1 - 50/60 Hz, IP65, without check valve								●
② Start unloader by means of a Bock-ESS (Electronic Soft Start) IP20 (Connection clamps IP00) for installation in switch cabinet		●	●	●	●	●	● ²⁾	
③ Capacity regulator 230 V - 1 - 50/60 Hz, IP65 1 Capacity regulator = 50% residual capacity			●	●	●	●		
Capacity regulator 230 V - 1 - 50/60 Hz, IP65 1-2 Capacity regulator = 66/33% residual capacity							●	
Capacity regulator 230 V - 1 - 50/60 Hz, IP65 1-3 Capacity regulator = 75/50/25% residual capacity								●
④ Continuously variable speed control by means of a Bock EFC (Electronic Frequency Control), compactly built onto compressor and connected ready-to-operate HG12P: IP65 HG22P/HG34e: IP54	●	●	●					
⑤ Continuously variable speed control by means of a Bock EFCe (Electronic Frequency Control for individual installation) IP54				● ¹⁾	● ¹⁾	● ¹⁾	●	●
⑥ Bock ESP (Electronic Single Phase) phase converter from single to three phase AC for installation in switch cabinet, IP20	●							
⑦ Cylinder cover prepared for capacity regulator			●					
⑧ Oil sump heater 110-240 V - 1 - 50/60 Hz, 50-120 W, IP66 PTC heater self-regulating	●	●	●					
⑨ Oil pressure safety switch MP 54 230 V - 1 - 50/60 Hz, IP20 incl. mounting				●	●	●	●	
⑩ Oil differential pressure sensor (Δp -switch Kriwan make) 220-240 V - 1 - 50/60 Hz				●	●	●	●	
⑪ Oil service valve				●	●	●	●	
⑫ Thermal protection thermostat (PTC sensor) IP67	●	●	●	●	●	●	●	
⑬ Bock Compressor Management BCM2000 including oil pressure control ⑩, oil temperature control (NTC) ⑭, thermal protection thermostat (PTC) per cylinder cover ⑫				●	●	●	●	
⑮ Water-cooled cylinder covers				●	●	●	●	●
Sea water resistant water-cooled cylinder covers				●	●	●	●	●
⑯ Additional fan 220-240 V - 1 - 50/60 Hz, 72/68 W, IP44 enclosed	● ¹⁾							
Additional fan 230 V Δ / 400 V Y - 3 - 50 Hz, 120 W, 230-265 V Δ / 400-460 V Y - 3 - 60 Hz, 190 W, IP54 enclosed		● ^{1) 3)}	● ^{1) 3)}	● ^{1) 3)}	● ^{1) 3)}	● ^{1) 3)}	● ³⁾	● ³⁾
⑰ Connection piece suction and discharge valve in welded construction								●
⑱ Intermediate adapter for discharge line valve				● ¹⁾	● ¹⁾	● ¹⁾	●	●
Special voltage and/or frequency (on request)	●	●	●	●	●	●	●	●

- 1
- 2
- 3
- 4

¹⁾ Only available for HG compressors

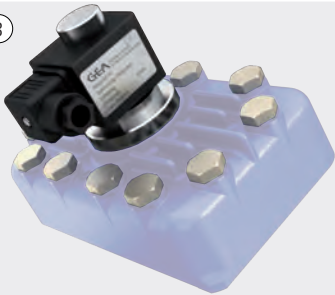
²⁾ Not available HG7/2110-4 S

³⁾ Voltage range \pm 10%

Pictures of accessories see page 58-59

Start unloader / Capacity regula-

① ③



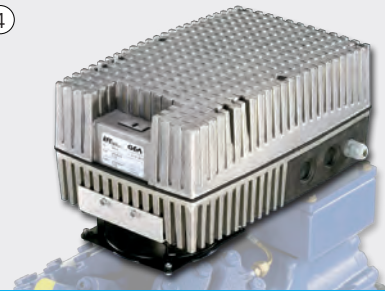
ESS Electronic Soft Start

②



EFC Electronic Frequency Control

④



EFCe Electronic Frequency Control external

⑤



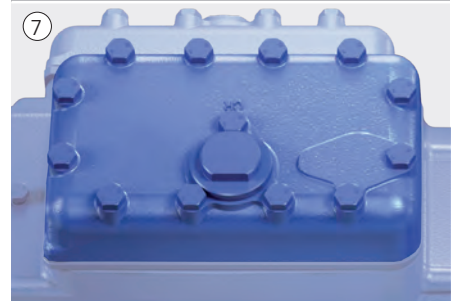
ESP Electronic Single Phase

⑥



Prepared for capacity regulator

⑦



Oil sump heater

⑧



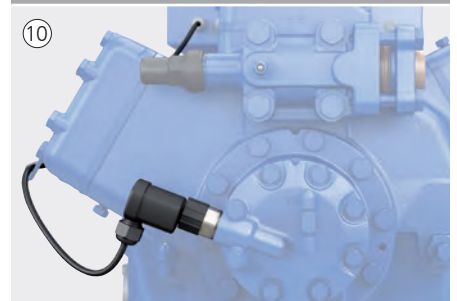
Oil pressure safety switch

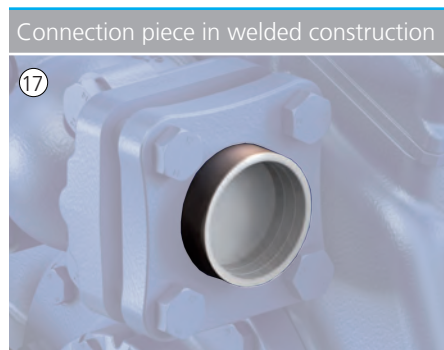
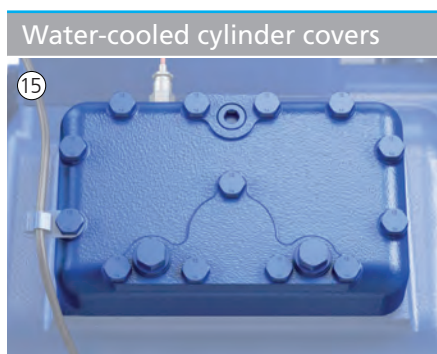
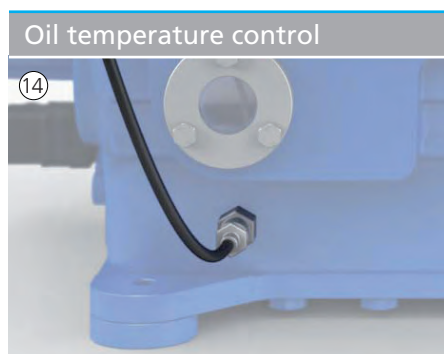
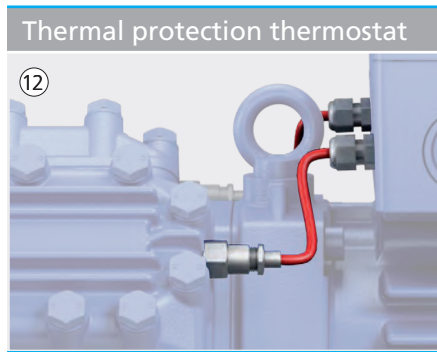
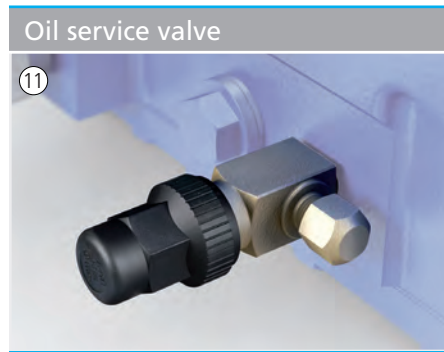
⑨



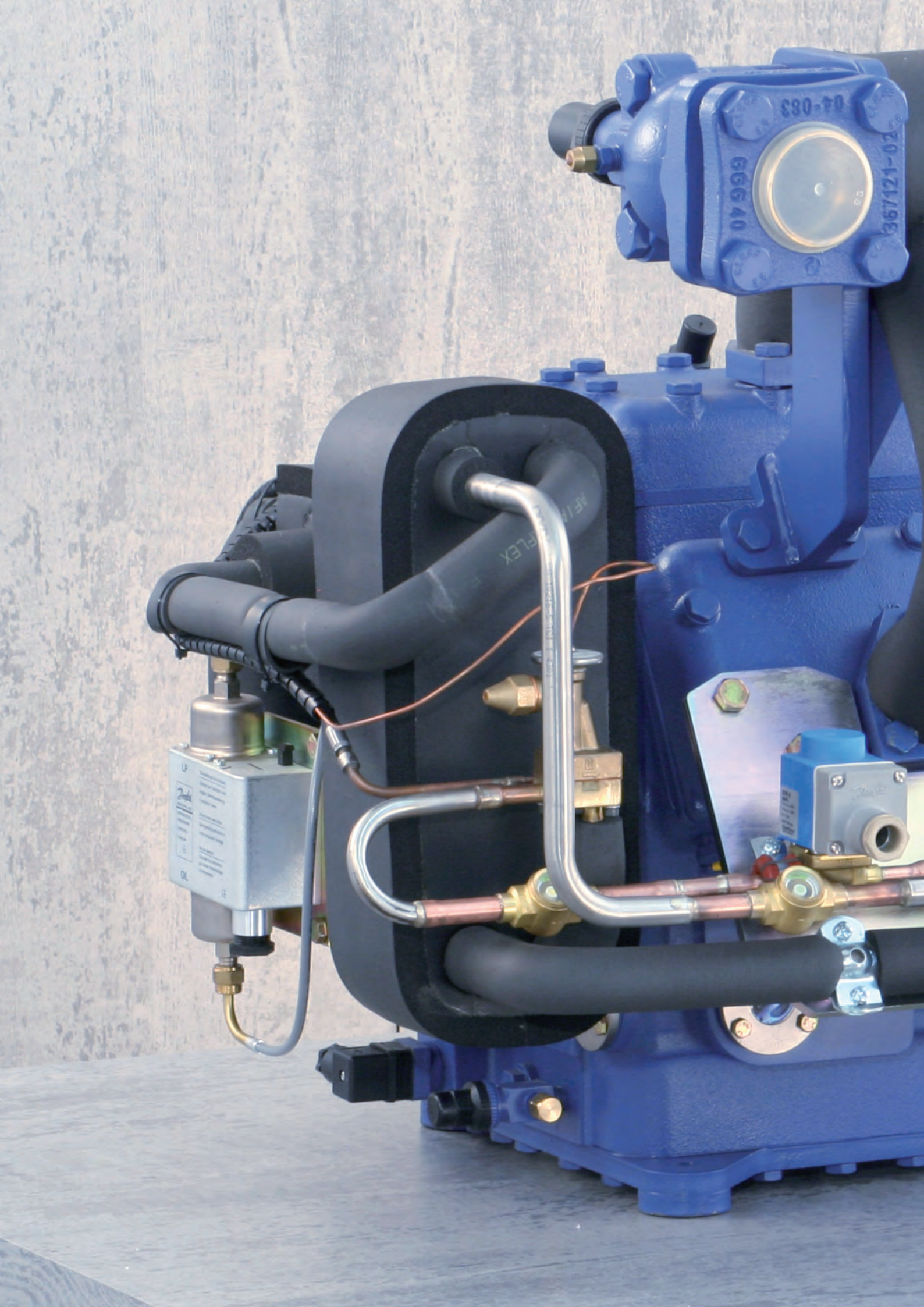
Oil differential pressure sensor

⑩





- 1
- 2
- 3
- 4





Two-stage semi-hermetic Bock compressors

At a glance	62
Special features	63
Operating limits and performance data	64
Technical data	68
Dimensions and connections	69
Scope of supply and accessories	72

° Two-stage Bock Compressors

At a glance

A two-stage variant based on the Bock HG semi-hermetic 6 cylinder range is available for extended use in the domain of deep-freezing.

The two stage system consists of:

- Liquid subcooler
- Reinjection valve
- Solenoid valve
- Sight glass
- Filter drier

Available models

for refrigerants R404A, R410A, R507, R22

Type	Displacement (50 Hz) LP / HP
HGZX7/1620-4 R404A/R507	93,70 m ³ /h / 46,90 m ³ /h
HGZX7/1620-4 R410A	
HGZ7/1620-4 R22	
HGZX7/1860-4 R404A/R507	107,60 m ³ /h / 53,80 m ³ /h
HGZX7/1860-4 R410A	
HGZ7/1860-4 R22	
HGZX7/2110-4 R404A/R507	122,40 m ³ /h / 61,20 m ³ /h
HGZX7/2110-4 R410A	
HGZ7/2110-4 R22	

Special features:

- 6 cylinder design
- LP/HP stage ratio 2:1
- 2 stage operation with liquid subcooler
- Reinjection valve adapted to refrigerant and application
- Extremely reliable and economic compressor design

Further information on the HG7 basic compressor see chapter "Single-stage semi-hermetic Bock compressors" from page 18.

Type key

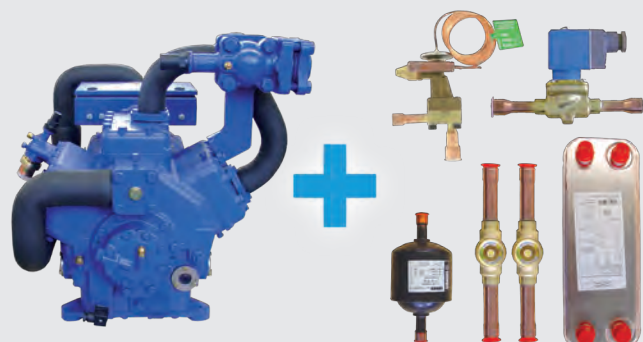
HGZX7/ 2110 - 4 R404A

1) HGZ = Hermetic Gas-Cooled (suction gas-cooled), two-stage
 2) X = Ester oil filling (HFC refrigerants R404A, R410A)
 3) Possible refrigerants are R404A, R410A, R22

The two possible designs of the HGZ7:

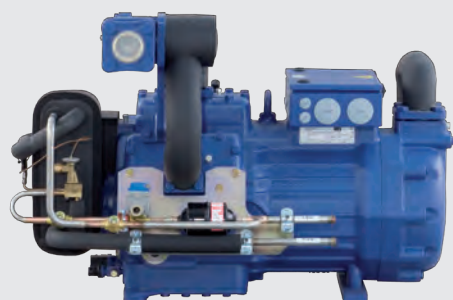
Standard

Medium-pressure mixed line mounted on the compressor and insulated, liquid subcooler, expansion valve, solenoid valve, two sight glasses, filter drier everything enclosed separately for individual, external mounting

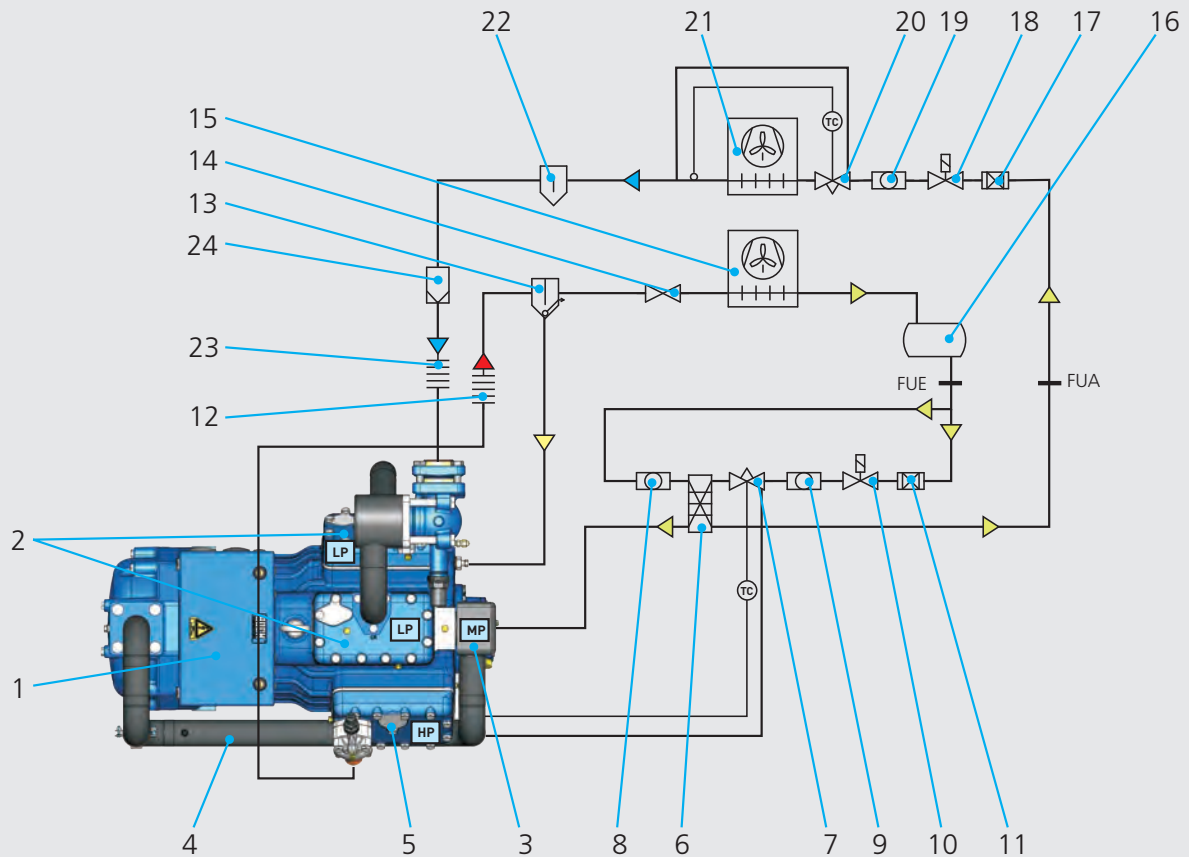


Option

Liquid subcooler, expansion valve, solenoid valve, two sight glasses, filter dryer mounted directly to the compressor, lined and insulated



Refrigeration circuit and two-stage compressor
Schematic diagram



- 1
- 2
- 3
- 4

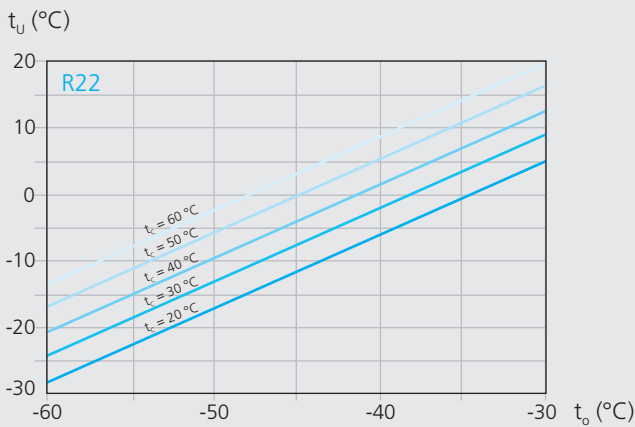
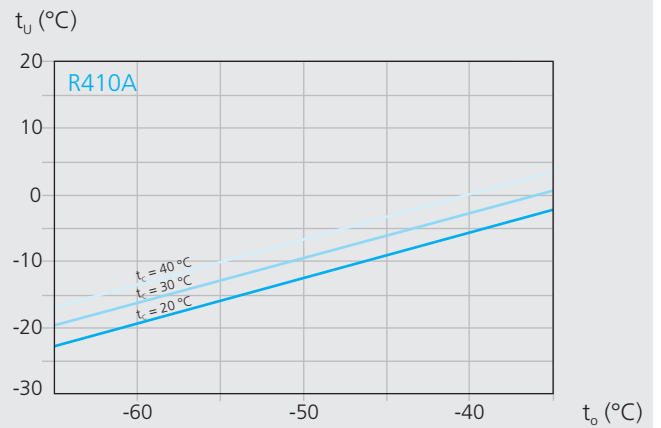
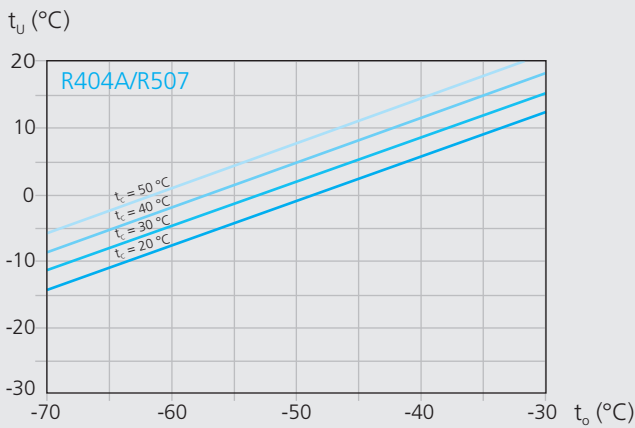
Explanations

- | | |
|------------------------------------|-----------------------------------|
| 1 Compressor | 17 Filter drier |
| 2 Cylinder LP-stage | 18 Solenoid valve |
| 3 Intermediate pressure chamber MP | 19 Sight glass |
| 4 Intermediate pressure line MP | 20 Expansion valve (evaporator) |
| 5 Cylinder HP-stage | 21 Evaporator |
| 6 Subcooler* | 22 Liquid separator |
| 7 Reinjection valve* | 23 Vibration damper, suction line |
| 8 Sight glass 1* | 24 Filter suction line |
| 9 Sight glass 2* | |
| 10 Solenoid valve* | LP = Low pressure |
| 11 Filter drier* | MP = Medium pressure |
| 12 Vibration damper, pressure line | HP = High pressure |
| 13 Oil separator | FUE = Liquid subcooler, inlet |
| 14 Non-return valve | FUA = Liquid subcooler, outlet |
| 15 Condenser | |
| 16 Refrigerant receiver | |
- * Components for subcooling system as standard

Subcooling temperature

The design of the expansion valve on the compressor can be defined with the help of the diagram by approximately calculating the subcooling temperature arising in the relevant operating conditions (t_o/t_c).

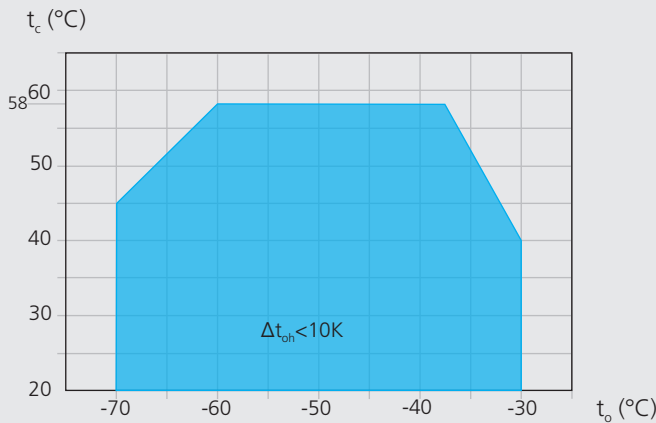
Subcooling temperature calculation diagram for the intermediate cooler outlet



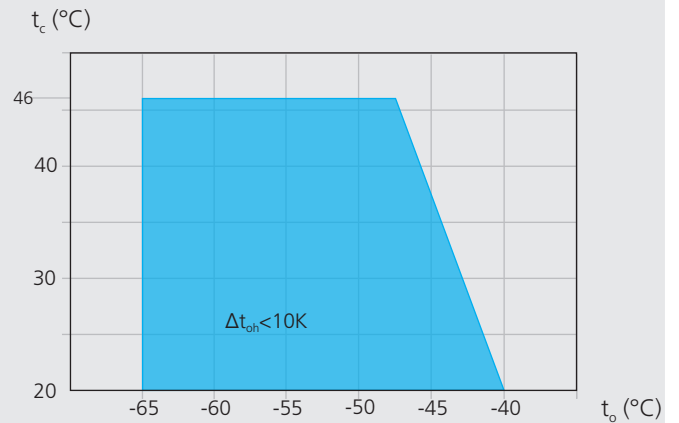
t_u = Subcooling temperature at the intermediate cooler outlet (FUA)
 t_o = Evaporation temperature

Operating limits

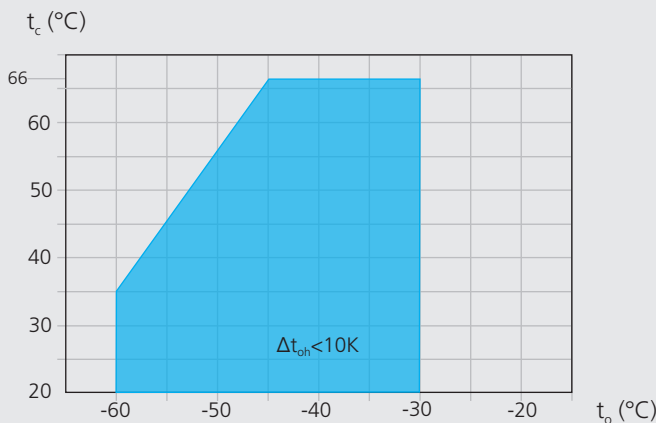
R404A/R507



R410A



R22



Application range

t_o Evaporating temperature (°C)

t_c Condensing temperature (°C)

Δt_{oh} Suction gas superheat (K)

Max. permissible operating pressure (LP/MP/HP)¹⁾: 19/19/28 bar

¹⁾ LP = low pressure MP = medium pressure HP = high pressure

- 1
- 2
- 3
- 4

Notes

Operating limits

Compressor operation is possible within the limits shown on the application diagrams. Please note the coloured areas. Compressor application limits should not be chosen for design purposes or continuous operation.

Performance data

The stated performance values are based on 10 K suction gas superheat with liquid subcooling, operating at 50 Hz.

Performance data were compiled for R404A and R507. The base values are the data for R404A.

Conversion factor für 60 Hz = 1,2

Performance data for other operating points, see GEA Bock software

R404A/R507		Performance data									50 Hz
Type	Cond. temp. °C		Cooling capacity \dot{Q}_o [W]						Power consumption P_e [kW]		
			Evaporating temperature °C								
			-30	-35	-40	-45	-50	-55	-60	-65	-70
HGZX7/1620-4	30	Q	34869	28471	23098	18628	14936	11899	9394	7296	5482
		P	21,17	19,41	17,63	15,84	14,05	12,31	10,61	8,99	7,46
	40	Q	33437	27315	22181	17910	14380	11467	9047	6997	5192
P		23,42	21,42	19,40	17,39	15,41	13,48	11,61	9,84	8,17	
HGZX7/1860-4	30	Q	40042	32694	26525	21391	17152	13665	10787	8378	6294
		P	24,31	22,29	20,24	18,18	16,14	14,13	12,19	10,32	8,56
	40	Q	38397	31367	25471	20567	16514	13169	10390	8035	5962
P		26,90	24,60	22,28	19,97	17,70	15,48	13,34	11,30	9,38	
HGZX7/2110-4	30	Q	45550	37191	30173	24334	19511	15544	12271	9530	7160
		P	27,66	25,36	23,03	20,69	18,36	16,08	13,86	11,74	9,74
	40	Q	43679	35681	28974	23396	18785	14980	11819	9140	6782
P		30,60	27,98	25,34	22,72	20,13	17,61	15,17	12,85	10,67	
HGZX7/2110-4	50	Q		33780	27366	22031	17614	13952	10884	8249	
		P		30,69	27,75	24,84	21,99	19,23	16,57	14,04	

R410A		Performance data							50 Hz
Type	Cond. temp. °C		Cooling capacity \dot{Q}_o [W]					Power consumption P_e [kW]	
			Evaporating temperature °C						
			-35	-40	-45	-50	-55	-60	-65
HGZX7/1620-4	30	Q			25354	19967	15285	11396	8385
		P			22,89	20,80	18,67	16,43	14,00
HGZX7/1620-4	50	Q			19131	14630	10868	7930	
		P			22,87	20,63	18,25	15,68	
HGZX7/1860-4	30	Q			29182	22859	17530	13136	9614
		P			26,28	23,89	21,44	18,87	16,08
HGZX7/1860-4	50	Q			21959	16774	12508	9101	
		P			26,26	23,68	20,96	18,00	
HGZX7/2110-4	30	Q			33195	26003	19941	14943	10937
		P			29,90	27,17	24,39	21,46	18,29
HGZX7/2110-4	50	Q			24980	19082	14229	10352	
		P			29,87	26,94	23,84	20,48	

R22		Performance data								50 Hz
Type	Cond. temp. °C		Cooling capacity \dot{Q}_0 [W]				Power consumption P_e [kW]			
			Evaporating temperature °C							
			-30	-35	-40	-45	-50	-55	-60	
HGZ7/1620-4	30	Q	29711	24214	19448	15365	11921	9070	6765	
		P	18,26	16,81	15,40	14,03	12,70	11,41	10,16	
	40	Q	29059	23630	18930	14914	11537	8753		
		P	20,23	18,52	16,86	15,23	13,64	12,10		
50	Q	28355	22992	18360	14411	11100				
	P	22,30	20,33	18,41	16,53	14,69				
60	Q	27598	22302	17736	13854					
	P	24,47	22,25	20,07	17,93					
HGZ7/1860-4	30	Q	30088	27881	22408	17669	13664	10393	7855	
		P	20,97	19,31	17,69	16,11	14,58	13,10	11,67	
	40	Q	33296	27181	21800	17153	13240	10061		
		P	23,23	21,27	19,36	17,49	15,67	13,89		
50	Q	32434	26411	21122	16567	12746				
	P	25,60	23,35	21,14	18,98	16,68				
60	Q	31503	25572	20375	15912					
	P	28,09	25,54	23,04	20,59					
HGZ7/2110-4	30	Q	38811	31632	25406	20072	15573	11848	8837	
		P	23,86	21,96	20,12	18,33	16,59	14,91	13,27	
	40	Q	37960	30868	24729	19483	15071	11433		
		P	26,43	24,20	22,02	19,89	17,82	15,80		
50	Q	37040	30035	23984	18825	14500				
	P	29,13	26,56	24,05	21,59	19,18				
60	Q	36050	29133	23169	18097					
	P	31,96	29,06	26,21	23,42					

Performance data 50 Hz relative to 10 K suction gas superheat with liquid subcooling

- 1
- 2
- 3
- 4

HGZ Type	Number of cylinders	Displacement		Voltage ①	Electrical data			Weight kg	Oil charge Ltr.
		50 Hz (1450/1740 rpm)	60 Hz (1450/1740 rpm)		Max. working current ② A	Max. power consumption ② kW	Starting current (rotor locked) ② A		
		m ³ /h	m ³ /h						
HGZX7/1620-4 R404A HGZX7/1620-4 R410A HGZ7/1620-4 R22	6	93,70 / 46,90	112,50 / 56,20	③	50	27,0	185 / 278	294	4,5
HGZX7/1860-4 R404A HGZX7/1860-4 R410A HGZ7/1860-4 R22	6	107,60 / 53,80	129,10 / 64,60	③	55	30,0	185 / 278	291	4,5
HGZX7/2110-4 R404A HGZX7/2110-4 R410A HGZ7/2110-4 R22	6	122,40 / 61,20	146,90 / 73,50	③	65	36,0	191 / 286	289	4,5

* PW = Part Winding, motors for part winding start 1 = 1. part winding 2 = 2. part winding

LP = low pressure
HP = high pressure

Oil sump heater 230V -1- 50/60 Hz 140 W
Permanently set version, installation in immersion sleeve

Explanations:

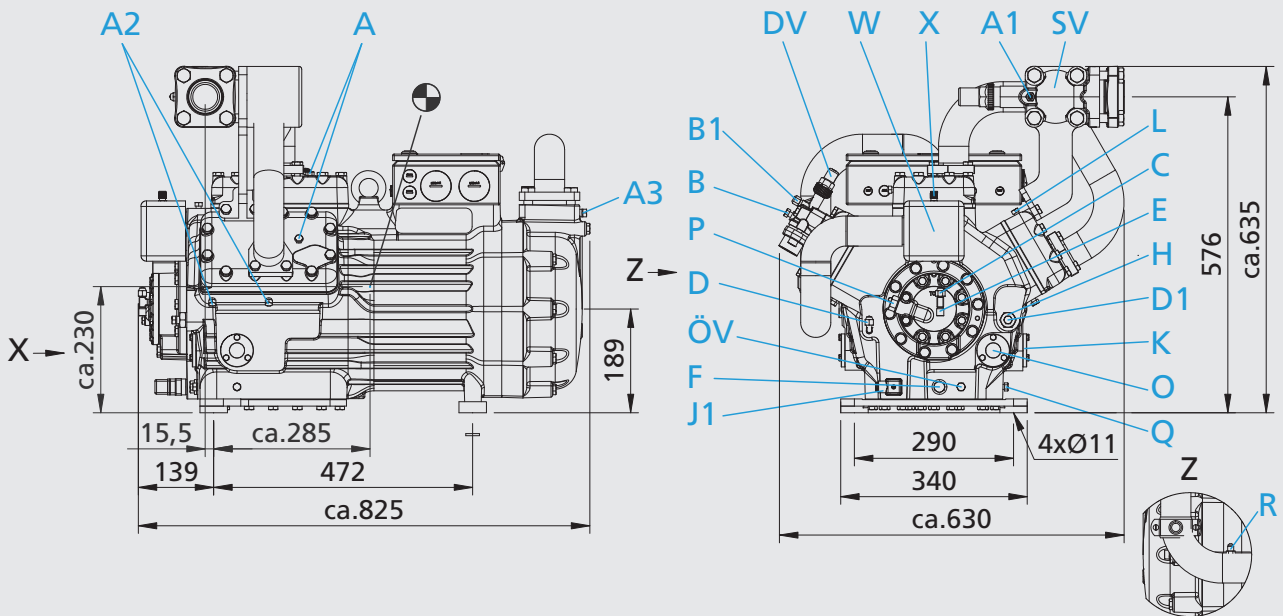
① Tolerance (± 10%) relates to the mean value of the voltage range. Other voltages and current types on request.

② - The specifications for max. power consumption apply for 50 Hz operation. For 60 Hz operation, the specifications have to be multiplied by the factor 1.2. The max. working current remains unchanged.
- Take account of the max. operating current / max. power consumption when designing contactors, leads and fuses. Switches: Service category AC3

③ 380-420 V Δ/YYY - 3 - 50 Hz PW
440-480 V Δ/YYY - 3 - 60 Hz PW
PW = Part Winding, motors for part winding start (no start unloaders required)
Winding ratios: 60% / 40%

HGZ7 - Standard

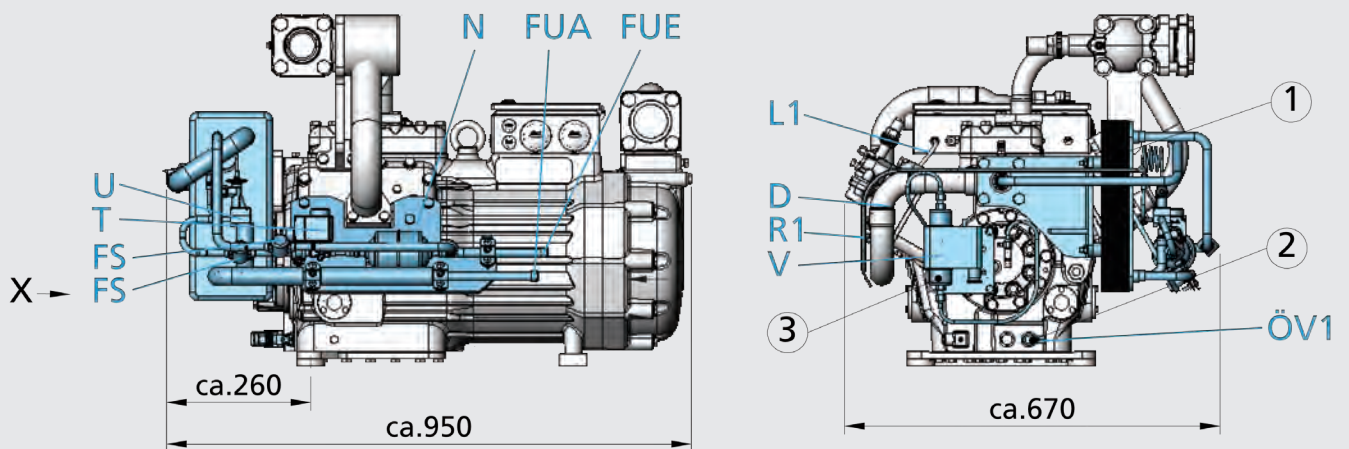
Liquid subcooler with accessories supplied separately



- 1
- 2
- 3
- 4

HGZ7 - Option

Liquid subcooler with complete accessories directly mounted onto the compressor



① Liquid subcooler with accessories

② Oil service valve

③ Oil pressure safety switch

Dimensions in mm
 ● Centre of gravity

- Connections see page 70
 - Rigid fixing without anti-vibration pad
 - Dimensions for view X see page 71

Connections		
DV	Discharge line	Ø 35 mm / 1 3/8" "
SV	Suction line	Ø 54 mm / 2 1/8" "
FUE	Liquid subcooler ON	Ø 16 mm - 5/8" "
FUA	Liquid subcooler OFF	Ø 16 mm - 5/8" "
A	Connection suction side, not lockable	1/8" NPTF
A1	Connection suction side, lockable	7/16" UNF
A2	Connection intermediate pressure, not lockable	1/8" NPTF
A3	Connection intermediate pressure, not lockable	1/4" NPTF
B	Connection discharge side, not lockable	1/8" NPTF
B1	Connection discharge side, lockable	7/16" UNF
C	Connection oil pressure safety switch OIL	7/16" UNF
D	Connection oil pressure safety switch LP	7/16" UNF
D1	Connection oil return from oil separator	1/4" NPTF
E	Connection oil pressure gauge	7/16" UNF
F	Oil drain	M 22 x 1,5
FS	Sight glass Liquid line	Ø 12 mm
H	Oil charge plug	M 22 x 1,5

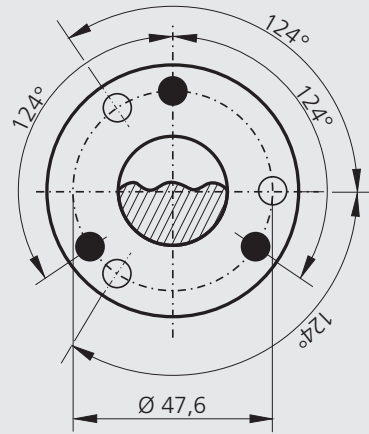
Connections		
J1	Oil sump heater	M 22 x 1,5
K	Sight glass	3 hole M 6
L	Connection thermal protection thermostat	1/8" NPTF
L1	Thermal protection thermostat	1/8" NPTF
N	Filter drier	Ø 12 mm
O	Connection oil level regulator	①
ÖV	Connection oil service valve	1/4" NPTF 1)
ÖV1	Oil service valve	7/16" UNF
P	Connection oil pressure differential sensor	M 20 x 1,5
Q	Connection oil temperature sensor	1/8" NPTF 1)
R	Connection equalizer for injection valve	7/16" UNF
R1	Equalizer for injection valve	Ø 6 mm
T	Solenoid valve	Ø 12 mm
U	Reinjection valve - dependent on refrigerant	Ø 12 mm
V	Oil pressure safety switch MP 54	-
W	Connection refrigerant injection	M 22 x 1,5
X	Connection for Schrader valve for intermediate pressure manometer	7/16" UNF

① Dimensions see view X see page 71

View X

Possibility to connect to oil level regulator

- Three-hole connection for oil level regulator make ESK, AC+R, CARLY (3x M6, 10 deep)



Dimensions in mm

1

2

3

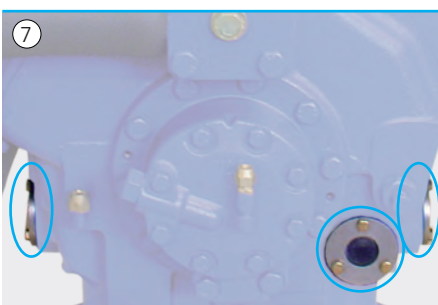
4

Scope of supply

Semi-hermetic six cylinder reciprocating compressor with drive motor for part winding start
 380-420 V Δ YYY - 3 - 50 Hz
 440-480 V Δ YYY - 3 - 60 Hz
 Single-section compressor housing with hermetically integrated electric motor

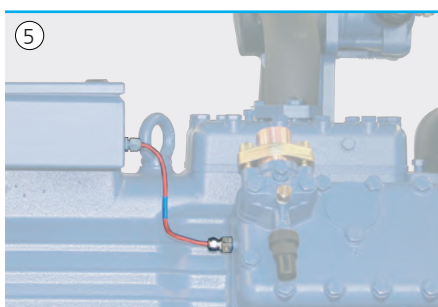
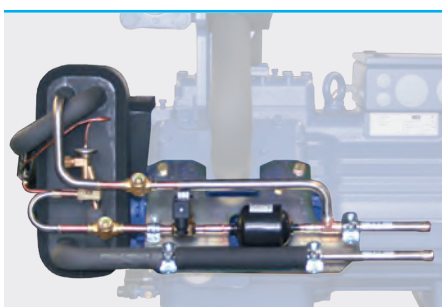
Cylinder design in W form, LP/HP stage ratio 2:1

- ① Intermediate pressure line mounted and insulated
 - ② Liquid subcooler, reinjection valve, solenoid valve, two sight glasses, filter drier. Supplied separately for individual, external installation
 - ③ Winding protection with PTC sensors and Bock MP10 electronic motor protection
 - ④ Oil pump cover with screw connection for oil differential pressure sensor (Δp switch Kriwan make)
 - ⑤ Direct connection possibility for oil level regulators ESK, AC+R or CARLY
 - ⑥ Oil sump heater 230 V - 1 - 50/60 Hz, 140 W
 Permanently set version, installation in immersion sleeve
- Oil charge:
 HGZ: FUCHS Reniso SP 46
 HGZX: FUCHS Reniso Triton SE 55
- ⑦ Three sight glasses
 - Decompression valve
 - ⑧ Suction and
 - ⑨ discharge line shut off valve
- Inert gas charge

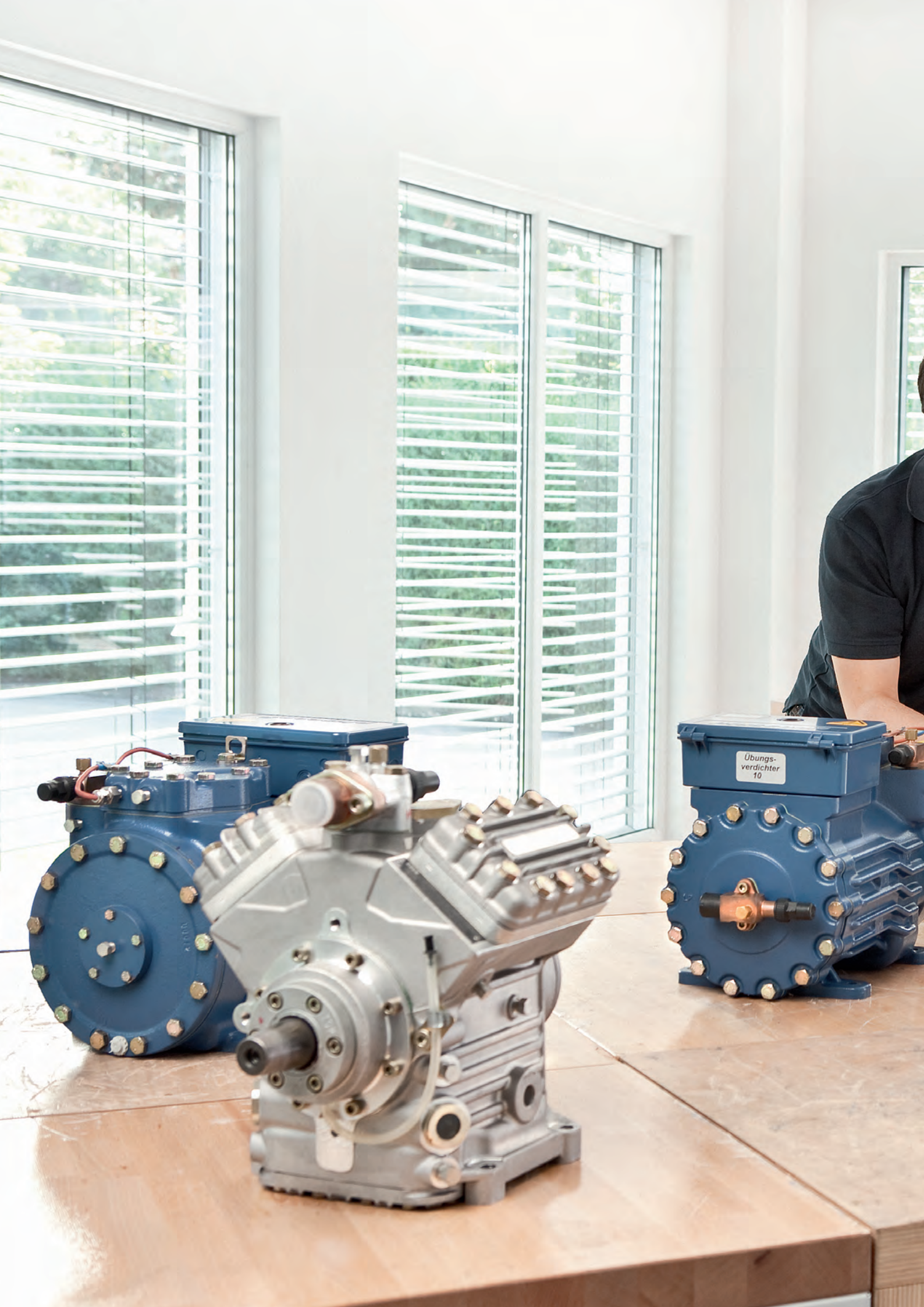


Accessories

- ① Liquid subcooler, reinjection valve, solenoid valve, two sight glasses, filter drier, directly mounted onto the compressor, fully assembled and insulated with pipes ready for connection
- ② Oil pressure safety switch MP 54 230 V - 1 - 50/60 Hz, IP20, including installation
- ③ Oil differential pressure sensor (Δp -switch Kriwan make) 220-240 V - 1 - 50/60 Hz
- ④ Oil service valve
- ⑤ Thermal protection thermostat (PTC sensor) IP67
- ⑥ Bock Compressor Management BCM2000 including oil pressure control, oil temperature control (NTC), thermal protection thermostat (PTC) on HD side



- 1
- 2
- 3
- 4



Übungs-
verdichter
10



Service - Made by GEA Bock

Training and workshops	76
GEA Bock on the Internet	77
Quality by GEA Bock	79

Because you're never done learning - GEA Bock training and workshops on compressors

Many years ago, GEA Bock intensified its commitment in the area of customer training.

And so we offer a comprehensive array of attractive training events, from two-day practitioners' workshops in Frickenhausen to afterwork workshops throughout Germany. Regardless of the type of training you are interested in.

Three things are characteristic of all GEA Bock training:

- The captivating way that the training director Peter Spies carries out the events
- The strong practice orientation of the training events, and
- The fact that all training events from, GEA Bock are offered as a free service

Current training dates can be found online at www.bock.de

Overview of training events offered:

- GEA Bock Practitioners' Workshop
- Training tailored to your individual needs
- Training for your entire staff
- Training on your premises

For additional questions or advice, please contact our training director:

Peter Spies
Telephone +49 70 22 / 94 54-157
Fax +49 70 22 / 94 54-137
Email: Peter.Spies@geagroup.com



Worldwide, Up-to-Date, Comprehensive -
GEA Bock on the Internet - www.bock.de

Products

- Comprehensive product brochure
- Data on all products
- Dimensions and exploded views
- Spare parts lists

Sales network

- Contact persons in over 60 countries
- Direct link to your trading partner

Company

- Current company information
- Company film
- Subsidiaries
- History
- References

News

- Company news
- Product news
- Current dates

Toolbocks - The Refrigeration App

- Power Converter
- Length Converter
- Pressure Converter
- Converter Tube Diameter
- Refrigerant Calculator
- Location Finder
- Error Analysis/Troubleshooter

Wordbock - Translation Tool

- Available as an app and
- As an online version on www.bock.de

Know-how

- Error analysis tool
- VAP software
- Comprehensive information



1
2
3
4



After Sale Service

GEA Bock offers you individual, personal consultation and assistance after the purchase as well.

As a customer, GEA Bock always has competent contact people available to you for technical questions.

Outside our business hours, you can reach us on our free hotline: 00 800 / 800 000 88 from Monday to Saturday, 8:00 a.m. to 9:00 p.m.

Quality by GEA Bock - The benchmark in cooling and air-conditioning

The name GEA Bock stands worldwide for compressor technology with the highest level of quality.

The goal of quality leadership in all product areas has always been at the centre of our company philosophy in our over 75-year history.

Today, permanent optimisation of quality, not just on the product but in all areas, is the core of GEA Bock's company strategy.

GEA Bock meets the requirements of DIN EN ISO 9001:2008, certified through DQS, as well as numerous additional European and globally recognised standards.

In addition, GEA Bock maintains a system of internal company standards, which go well beyond public regulations in many points.





Excellence

Passion

Integrity

Responsibility

GEA-versity

GEA Group is a global mechanical engineering company with multi-billion euro sales and operations in more than 50 countries. Founded in 1881, the company is one of the largest providers of innovative equipment and process technology. GEA Group is listed in the STOXX Europe 600 Index.



GEA Refrigeration Technologies

GEA Bock GmbH

Benzstraße 7, 72636 Frickenhausen, Germany
Phone: +49 7022 9454-0, Fax: +49 7022 9454-137
bock@geagroup.com, www.bock.de